

### FEATURES

#### Throughput

- 2 MSPS (wideband warp and warp mode)
- 1.5 MSPS (normal mode)

INL:  $\pm 2$  LSB typical,  $\pm 3$  LSB max;  $\pm 8$  ppm of full scale

18-bit resolution with no missing codes

Dynamic range: 95.5 dB

SNR: 93.5 dB typical @ 20 kHz ( $V_{REF} = 2.5$  V)

THD:  $-112$  dB typical @ 20 kHz ( $V_{REF} = 2.5$  V)

2.048 V internal reference: typ drift 10 ppm/ $^{\circ}$ C; TEMP output

Differential input range:  $\pm V_{REF}$  ( $V_{REF}$  up to 2.5 V)

No pipeline delay (SAR architecture)

Parallel (18-, 16-, or 8-bit bus) and

serial 5 V/3.3 V/2.5 V interface

SPI<sup>®</sup>/QSPI<sup>™</sup>/MICROWIRE<sup>™</sup>/DSP compatible

Single 2.5 V supply operation

#### Power dissipation

- 75 mW typical @ 2 MSPS with internal REF
- 2  $\mu$ W in power-down mode

Pb-free, 48-lead LQFP and 48-lead LFCSP\_VQ

Speed upgrade of the [AD7674](#), [AD7678](#), [AD7679](#)

### APPLICATIONS

Medical instruments

High speed data acquisition/high dynamic data acquisition

Digital signal processing

Spectrum analysis

Instrumentation

Communications

ATE

### GENERAL DESCRIPTION

The AD7641 is an 18-bit, 2 MSPS, charge redistribution SAR, fully differential, analog-to-digital converter (ADC) that operates from a single 2.5 V power supply. The part contains a high speed, 18-bit sampling ADC, an internal conversion clock, an internal reference (and buffer), error correction circuits, and both serial and parallel system interface ports. It features two very high sampling rate modes (wideband warp and warp) and a fast mode (normal) for asynchronous rate applications. The AD7641 is hardware factory calibrated and tested to ensure ac parameters, such as signal-to-noise ratio (SNR), in addition to the more traditional dc parameters of gain, offset, and linearity. The AD7641 is available in Pb-free only packages with operation specified from  $-40^{\circ}$ C to  $+85^{\circ}$ C.

#### Rev. 0

Information furnished by Analog Devices is believed to be accurate and reliable. However, no responsibility is assumed by Analog Devices for its use, nor for any infringements of patents or other rights of third parties that may result from its use. Specifications subject to change without notice. No license is granted by implication or otherwise under any patent or patent rights of Analog Devices. Trademarks and registered trademarks are the property of their respective owners.

### FUNCTIONAL BLOCK DIAGRAM

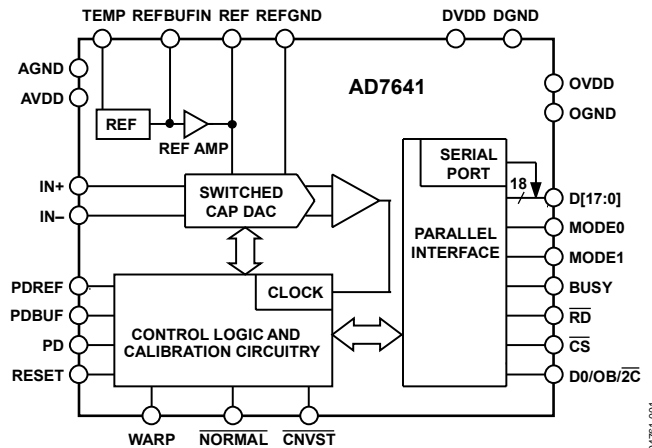


Figure 1.

Table 1. PulSAR<sup>®</sup> Selection

Type/kSPS	100 to 250	500 to 570	650 to 1000	>1000
Pseudo Differential	<a href="#">AD7651</a> , <a href="#">AD7660</a> , <a href="#">AD7661</a>	<a href="#">AD7650</a> , <a href="#">AD7652</a> , <a href="#">AD7664</a> , <a href="#">AD7666</a>	<a href="#">AD7653</a> , <a href="#">AD7667</a>	
True Bipolar	<a href="#">AD7610</a> , <a href="#">AD7663</a>	<a href="#">AD7665</a>	<a href="#">AD7612</a> , <a href="#">AD7671</a>	
True Differential	<a href="#">AD7675</a>	<a href="#">AD7676</a>	<a href="#">AD7677</a>	<a href="#">AD7621</a> , <a href="#">AD7622</a> , <a href="#">AD7623</a>
18-Bit Multichannel/ Simultaneous	<a href="#">AD7631</a> , <a href="#">AD7678</a>	<a href="#">AD7679</a>  <a href="#">AD7654</a>	<a href="#">AD7634</a> , <a href="#">AD7674</a>  <a href="#">AD7655</a>	<a href="#">AD7641</a> , <a href="#">AD7643</a>

### PRODUCT HIGHLIGHTS

- Fast Throughput.**  
The AD7641 is a 2 MSPS, charge redistribution, 18-bit SAR ADC.
- Superior Linearity.**  
The AD7641 has no missing 18-bit code.
- Internal Reference.**  
The AD7641 has a 2.048 V internal reference with a typical drift of  $\pm 10$  ppm/ $^{\circ}$ C and an on-chip TEMP sensor.
- Single-Supply Operation.**  
The AD7641 operates from a 2.5 V single supply.
- Serial or Parallel Interface.**  
Versatile parallel (16- or 8-bit bus) or 2-wire serial interface arrangement compatible with 2.5 V, 3.3 V, or 5 V logic.

## TABLE OF CONTENTS

Features .....	1	Analog Inputs .....	17
Applications.....	1	Multiplexed Inputs .....	17
General Description .....	1	Driver Amplifier Choice .....	17
Functional Block Diagram .....	1	Voltage Reference Input .....	18
Product Highlights .....	1	Power Supply.....	20
Revision History .....	2	Conversion Control .....	20
Specifications.....	3	Interfaces.....	21
Timing Specifications.....	5	Digital Interface .....	21
Absolute Maximum Ratings.....	7	Parallel Interface.....	21
ESD Caution.....	7	Serial interface .....	22
Pin Configuration and Function Descriptions.....	8	Master Serial Interface.....	22
Terminology .....	11	Slave Serial Interface .....	24
Typical Performance Characteristics .....	12	Microprocessor Interfacing.....	26
Applications Information.....	15	Application Hints .....	27
Circuit Information.....	15	Layout .....	27
Converter Operation.....	15	Evaluating the AD7641 Performance .....	27
Modes of Operation .....	15	Outline Dimensions .....	28
Transfer Functions.....	16	Ordering Guide .....	28
Typical Connection Diagram.....	17		

## REVISION HISTORY

1/06—Revision 0: Initial Version

## SPECIFICATIONS

AVDD = DVDD = 2.5 V; OVDD = 2.3 V to 3.6 V; V<sub>REF</sub> = 2.5 V; all specifications T<sub>MIN</sub> to T<sub>MAX</sub>, unless otherwise noted.

Table 2.

Parameter	Conditions	Min	Typ	Max	Unit
RESOLUTION		18			Bits
ANALOG INPUT					
Voltage Range	V <sub>IN+</sub> – V <sub>IN-</sub>	–V <sub>REF</sub>		+V <sub>REF</sub>	V
Operating Input Voltage	V <sub>IN+</sub> , V <sub>IN-</sub> to AGND	–0.1		AVDD <sup>1</sup>	V
Analog Input CMRR	f <sub>IN</sub> = 100 kHz		58		dB
Input Current	2 MSPS throughput		18		μA
Input Impedance <sup>2</sup>					
THROUGHPUT SPEED					
Complete Cycle	Wideband warp, warp modes			500	ns
Throughput Rate	Wideband warp, warp modes	0.001		2	MSPS
Time Between Conversions	Wideband warp, warp modes			1	ms
Complete Cycle	Normal mode			667	ns
Throughput Rate	Normal mode	0		1.5	MSPS
DC ACCURACY					
Integral Linearity Error <sup>3</sup>	T <sub>MIN</sub> to T <sub>MAX</sub> = –40°C to +70°C	–3	±2	+3	LSB <sup>4</sup>
Integral Linearity Error	T <sub>MIN</sub> to T <sub>MAX</sub> = –40°C to +85°C	–3.5	±2	+3.5	LSB <sup>4</sup>
No Missing Codes		18			Bits
Differential Linearity Error		–1		+2	LSB
Transition Noise	V <sub>REF</sub> = 2.5 V		1.6		LSB
Transition Noise	V <sub>REF</sub> = 2.048 V		2.0		LSB
Zero Error, T <sub>MIN</sub> to T <sub>MAX</sub> <sup>5</sup>		–15		+15	LSB
Zero Error Temperature Drift			±0.5		ppm/°C
Gain Error, T <sub>MIN</sub> to T <sub>MAX</sub> <sup>5</sup>		–0.25		+0.25	% of FSR
Gain Error Temperature Drift			±1		ppm/°C
Power Supply Sensitivity	AVDD = 2.5 V ± 5%		±16		LSB
AC ACCURACY					
Dynamic Range	V <sub>REF</sub> = 2.5 V		95.5		dB <sup>6</sup>
Signal-to-Noise	f <sub>IN</sub> = 20 kHz, V <sub>REF</sub> = 2.5 V		93.5		dB
	f <sub>IN</sub> = 20 kHz, V <sub>REF</sub> = 2.048 V		92		dB
	f <sub>IN</sub> = 100 kHz, V <sub>REF</sub> = 2.5 V		93		dB
Spurious-Free Dynamic Range	f <sub>IN</sub> = 20 kHz, V <sub>REF</sub> = 2.5 V		112		dB
	f <sub>IN</sub> = 20 kHz, V <sub>REF</sub> = 2.048 V		113		dB
	f <sub>IN</sub> = 100 kHz, V <sub>REF</sub> = 2.5 V		101		dB
Total Harmonic Distortion	f <sub>IN</sub> = 20 kHz, V <sub>REF</sub> = 2.5 V		–115		dB
	f <sub>IN</sub> = 20 kHz, V <sub>REF</sub> = 2.048 V		–116		dB
	f <sub>IN</sub> = 100 kHz, V <sub>REF</sub> = 2.5 V		–101		dB
Signal-to-(Noise + Distortion)	f <sub>IN</sub> = 20 kHz, V <sub>REF</sub> = 2.5 V		93.5		dB
	f <sub>IN</sub> = 20 kHz, V <sub>REF</sub> = 2.048 V		92		dB
	f <sub>IN</sub> = 100 kHz, V <sub>REF</sub> = 2.5 V		92.5		dB
–3 dB Input Bandwidth			50		MHz
SAMPLING DYNAMICS					
Aperture Delay			1		ns
Aperture Jitter			5		ps rms
Transient Response	Full-scale step			115	ns
INTERNAL REFERENCE					
Output Voltage	PDREF = PDBUF = low REF @ 25°C	2.038	2.048	2.058	V
Temperature Drift	–40°C to +85°C		±10		ppm/°C
Line Regulation	AVDD = 2.5 V ± 5%		±15		ppm/V

# AD7641

Parameter	Conditions	Min	Typ	Max	Unit
Turn-On Settling Time	$C_{REF} = 10 \mu F$		5		ms
REFBUFIN Output Voltage	REFBUFIN @ 25°C		1.19		V
REFBUFIN Output Resistance			6.33		k $\Omega$
EXTERNAL REFERENCE	PDREF = PDBUF = high				
Voltage Range	REF	1.8	2.048	AVDD + 0.1	V
Current Drain	2 MSPS throughput		180		$\mu A$
REFERENCE BUFFER	PDREF = high, PDBUF = low				
REFBUFIN Input Voltage Range	REF = 2.048 V typ	1.05	1.2	1.30	V
REFBUFIN Input Current	REFBUFIN = 1.2 V		1		nA
TEMPERATURE PIN					
Voltage Output	@ 25°C		278		mV
Temperature Sensitivity			1		mV/°C
Output Resistance			4.7		k $\Omega$
DIGITAL INPUTS					
Logic Levels					
$V_{IL}$		-0.3		+0.6	V
$V_{IH}$		1.7		5.25	V
$I_{IL}$		-1		+1	$\mu A$
$I_{IH}$		-1		+1	$\mu A$
DIGITAL OUTPUTS					
Data Format <sup>7</sup>					
Pipeline Delay <sup>8</sup>					
$V_{OL}$	$I_{SINK} = 500 \mu A$			0.4	V
$V_{OH}$	$I_{SOURCE} = -500 \mu A$	OVDD - 0.3			V
POWER SUPPLIES					
Specified Performance					
AVDD		2.37	2.5	2.63	V
DVDD		2.37	2.5	2.63	V
OVDD		2.30 <sup>9</sup>		3.6	V
Operating Current <sup>10</sup>	2 MSPS throughput				
AVDD <sup>11</sup>	With internal reference		23		mA
DVDD			2.5		mA
OVDD <sup>12</sup>			0.5		mA
Power Dissipation <sup>11</sup>					
With Internal Reference <sup>10</sup>	2 MSPS throughput		75	92	mW
Without Internal Reference <sup>10</sup>	2 MSPS throughput		68	85	mW
In Power-Down Mode <sup>12</sup>	PD = high		2		$\mu W$
TEMPERATURE RANGE <sup>13</sup>					
Specified Performance	$T_{MIN}$ to $T_{MAX}$	-40		+85	°C

<sup>1</sup> When using an external reference. With the internal reference, the input range is -0.1 V to  $V_{REF}$ .

<sup>2</sup> See Analog Inputs section.

<sup>3</sup> Linearity is tested using endnotes, not best fit.

<sup>4</sup> LSB means least significant bit. With the  $\pm 2.048$  V input range, 1 LSB is 15.63  $\mu V$ .

<sup>5</sup> See Voltage Reference Input section. These specifications do not include the error contribution from the external reference.

<sup>6</sup> All specifications in dB are referred to a full-scale input FS. Tested with an input signal at 0.5 dB below full-scale, unless otherwise specified.

<sup>7</sup> Parallel or serial 18-bit.

<sup>8</sup> Conversion results are available immediately after completed conversion.

<sup>9</sup> See the Absolute Maximum Ratings section.

<sup>10</sup> In warp mode. Tested in parallel reading mode.

<sup>11</sup> With internal reference, PDREF and PDBUF are low; without internal reference, PDREF and PDBUF are high.

<sup>12</sup> With all digital inputs forced to OVDD.

<sup>13</sup> Consult sales for extended temperature range.

## TIMING SPECIFICATIONS

AVDD = DVDD = 2.5 V; OVDD = 2.3 V to 3.6 V; V<sub>REF</sub> = 2.5 V; all specifications T<sub>MIN</sub> to T<sub>MAX</sub>, unless otherwise noted.

**Table 3.**

Parameter	Symbol	Min	Typ	Max	Unit
<b>CONVERSION AND RESET (Refer to Figure 29 and Figure 30)</b>					
Convert Pulse Width	t <sub>1</sub>	15		70 <sup>1</sup>	ns
Time Between Conversions (Warp Mode <sup>2</sup> /Normal Mode <sup>3</sup> )	t <sub>2</sub>	500/667			ns
$\overline{\text{CNVST}}$ Low to BUSY High Delay	t <sub>3</sub>			23	ns
BUSY High All Modes (Except Master Serial Read After Convert)	t <sub>4</sub>			385/520	ns
Aperture Delay	t <sub>5</sub>		1		ns
End of Conversion to BUSY Low Delay	t <sub>6</sub>	10			ns
Conversion Time (Warp Mode/Normal Mode)	t <sub>7</sub>			385/520	ns
Acquisition Time (Warp Mode/Normal Mode)	t <sub>8</sub>	115			ns
RESET Pulse Width	t <sub>9</sub>	15			ns
RESET Low to BUSY High Delay <sup>4</sup>	t <sub>38</sub>		10		ns
BUSY High Time from RESET Low <sup>4</sup>	t <sub>39</sub>		600		ns
<b>PARALLEL INTERFACE MODES (Refer to Figure 31 to Figure 34)</b>					
$\overline{\text{CNVST}}$ Low to Data Valid Delay (Warp Mode/Normal Mode)	t <sub>10</sub>			385/520	ns
Data Valid to BUSY Low Delay	t <sub>11</sub>	2			ns
Bus Access Request to Data Valid	t <sub>12</sub>			20	ns
Bus Relinquish Time	t <sub>13</sub>	2		15	ns
<b>MASTER SERIAL INTERFACE MODES<sup>5</sup> (Refer to Figure 35 and Figure 36)</b>					
$\overline{\text{CS}}$ Low to SYNC Valid Delay	t <sub>14</sub>			10	ns
$\overline{\text{CS}}$ Low to Internal SCLK Valid Delay <sup>5</sup>	t <sub>15</sub>			10	ns
$\overline{\text{CS}}$ Low to SDOUT Delay	t <sub>16</sub>			10	ns
$\overline{\text{CNVST}}$ Low to SYNC Delay (Warp Mode/Normal Mode)	t <sub>17</sub>		14/137		ns
SYNC Asserted to SCLK First Edge Delay	t <sub>18</sub>	0.5			ns
Internal SCLK Period <sup>6</sup>	t <sub>19</sub>	8		14	ns
Internal SCLK High <sup>6</sup>	t <sub>20</sub>	2			ns
Internal SCLK Low <sup>6</sup>	t <sub>21</sub>	3			ns
SDOUT Valid Setup Time <sup>6</sup>	t <sub>22</sub>	1			ns
SDOUT Valid Hold Time <sup>6</sup>	t <sub>23</sub>	0			ns
SCLK Last Edge to SYNC Delay <sup>6</sup>	t <sub>24</sub>	0			ns
$\overline{\text{CS}}$ High to SYNC HI-Z	t <sub>25</sub>			10	ns
$\overline{\text{CS}}$ High to Internal SCLK HI-Z	t <sub>26</sub>			10	ns
$\overline{\text{CS}}$ High to SDOUT HI-Z	t <sub>27</sub>			10	ns
BUSY High in Master Serial Read After Convert <sup>6</sup>	t <sub>28</sub>		See Table 4		ns
$\overline{\text{CNVST}}$ Low to SYNC Asserted Delay (All Modes)	t <sub>29</sub>		383/500		ns
SYNC Deasserted to BUSY Low Delay	t <sub>30</sub>		13		ns
<b>SLAVE SERIAL INTERFACE MODES (Refer to Figure 38 and Figure 39)</b>					
External SCLK Setup Time	t <sub>31</sub>	5			ns
External SCLK Active Edge to SDOUT Delay	t <sub>32</sub>	1		8	ns
SDIN Setup Time	t <sub>33</sub>	5			ns
SDIN Hold Time	t <sub>34</sub>	5			ns
External SCLK Period	t <sub>35</sub>	12.5			ns
External SCLK High	t <sub>36</sub>	5			ns
External SCLK Low	t <sub>37</sub>	5			ns

<sup>1</sup> See the Conversion Control section.

<sup>2</sup> All timings for wideband warp mode are the same as warp mode.

<sup>3</sup> In warp mode only, the maximum time between conversions is 1 ms; otherwise, there is no required maximum time.

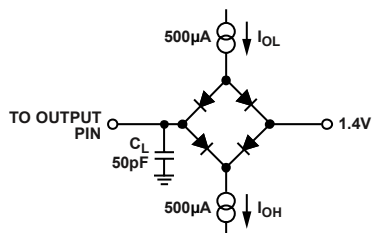
<sup>4</sup> See the Digital Interface section and the RESET section.

<sup>5</sup> In serial interface modes, the SYNC, SCLK, and SDOUT timings are defined with a maximum load C<sub>L</sub> of 10 pF; otherwise, the load is 60 pF maximum.

<sup>6</sup> In serial master read during convert mode. See Table 4 for serial master read after convert mode timing specifications.

**Table 4. Serial Clock Timings in Master Read After Convert Mode**

DIVSCLK[1] DIVSCLK[0]	Symbol	0 0	0 1	1 0	1 1	Unit
SYNC to SCLK First Edge Delay Minimum	$t_{18}$	0.5	3	3	3	ns
Internal SCLK Period Minimum	$t_{19}$	8	16	32	64	ns
Internal SCLK Period Maximum	$t_{19}$	14	26	52	103	ns
Internal SCLK High Minimum	$t_{20}$	2	6	15	31	ns
Internal SCLK Low Minimum	$t_{21}$	3	7	16	32	ns
SDOUT Valid Setup Time Minimum	$t_{22}$	1	5	5	5	ns
SDOUT Valid Hold Time Minimum	$t_{23}$	0	0.5	10	28	ns
SCLK Last Edge to SYNC Delay Minimum	$t_{24}$	0	0.5	9	26	ns
BUSY High Width Maximum	$t_{24}$	0.630	0.870	1.350	2.28	$\mu$ s



NOTE  
IN SERIAL INTERFACE MODES, THE SYNC, SCLK, AND SDOUT TIMING ARE DEFINED WITH A MAXIMUM LOAD  $C_L$  OF 10pF; OTHERWISE, THE LOAD IS 60pF MAXIMUM.

Figure 2. Load Circuit for Digital Interface Timing, SDOUT, SYNC, and SCLK Outputs,  $C_L = 10$  pF

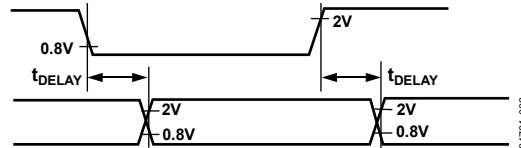


Figure 3. Voltage Reference Levels for Timing

## ABSOLUTE MAXIMUM RATINGS

Table 5.

Parameter	Rating
Analog Inputs/Outputs IN+ <sup>1</sup> , IN–, REF, REFBUF <sub>IN</sub> , TEMP, INGND, REFGND to AGND	AVDD + 0.3 V to AGND – 0.3 V
Ground Voltage Differences AGND, DGND, OGND	±0.3 V
Supply Voltages AVDD, DVDD	–0.3 V to +2.7 V
OVDD	–0.3 V to +3.8 V
AVDD to DVDD	±2.8 V
AVDD, DVDD to OVDD	–3.8 V to +2.8 V
Digital Inputs PDREF, PDBUF <sup>2</sup>	–0.3 V to +5.5 V ±20 mA
Internal Power Dissipation <sup>3</sup>	700 mW
Internal Power Dissipation <sup>4</sup>	2.5 W
Junction Temperature	125°C
Storage Temperature Range	–65°C to +125°C

Stresses above those listed under Absolute Maximum Ratings may cause permanent damage to the device. This is a stress rating only; functional operation of the device at these or any other conditions above those indicated in the operational section of this specification is not implied. Exposure to absolute maximum rating conditions for extended periods may affect device reliability.

<sup>1</sup> See Analog Inputs section.

<sup>2</sup> See Voltage Reference Input section.

<sup>3</sup> Specification is for the device in free air:  
48-Lead LQFP;  $\theta_{JA} = 91^{\circ}\text{C}/\text{W}$ ,  $\theta_{JC} = 30^{\circ}\text{C}/\text{W}$ .

<sup>4</sup> Specification is for the device in free air:  
48-Lead LFCSP;  $\theta_{JA} = 26^{\circ}\text{C}/\text{W}$ .

### ESD CAUTION

ESD (electrostatic discharge) sensitive device. Electrostatic charges as high as 4000 V readily accumulate on the human body and test equipment and can discharge without detection. Although this product features proprietary ESD protection circuitry, permanent damage may occur on devices subjected to high energy electrostatic discharges. Therefore, proper ESD precautions are recommended to avoid performance degradation or loss of functionality.



## PIN CONFIGURATION AND FUNCTION DESCRIPTIONS

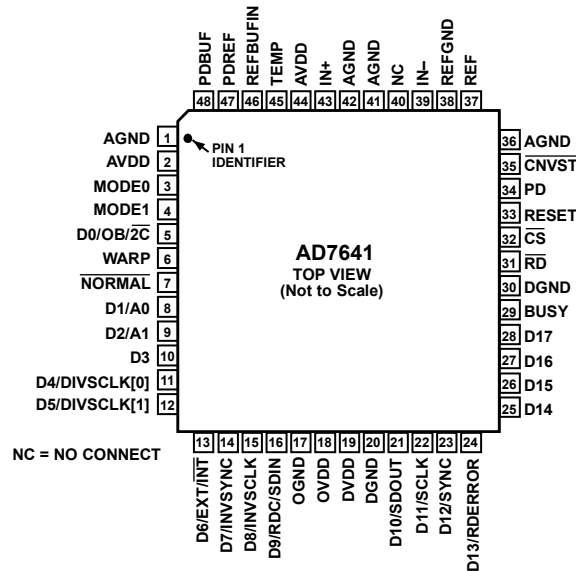


Figure 4. Pin Configuration

Table 6. Pin Function Descriptions

Pin No.	Mnemonic	Type <sup>1</sup>	Description																				
1, 36, 41, 42	AGND	P	Analog Power Ground Pin.																				
2, 44	AVDD	P	Input Analog Power Pins. Nominally 2.5 V.																				
3, 4	MODE[0:1]	DI	Data Output Interface Mode Selection.																				
			<table border="1"> <thead> <tr> <th>Interface MODE#</th> <th>MODE1</th> <th>MODE0</th> <th>Description</th> </tr> </thead> <tbody> <tr> <td>0</td> <td>0</td> <td>0</td> <td>18-bit interface</td> </tr> <tr> <td>1</td> <td>0</td> <td>1</td> <td>16-bit interface</td> </tr> <tr> <td>2</td> <td>1</td> <td>0</td> <td>8-bit (byte) interface</td> </tr> <tr> <td>3</td> <td>1</td> <td>1</td> <td>Serial interface</td> </tr> </tbody> </table>	Interface MODE#	MODE1	MODE0	Description	0	0	0	18-bit interface	1	0	1	16-bit interface	2	1	0	8-bit (byte) interface	3	1	1	Serial interface
Interface MODE#	MODE1	MODE0	Description																				
0	0	0	18-bit interface																				
1	0	1	16-bit interface																				
2	1	0	8-bit (byte) interface																				
3	1	1	Serial interface																				
5	D0/OB/ $\overline{2C}$	DI/O	When MODE[1:0] = 0 (18-bit interface mode), this pin is Bit 0 of the parallel port data output bus and the data coding is straight binary. In all other modes, this pin allows the choice of straight binary/twos complement. When OB/ $\overline{2C}$ is high, the digital output is straight binary; when low, the MSB is inverted resulting in a twos complement output from its internal shift register.																				
6	WARP	DI	Conversion Mode Selection. When WARP = high and NORMAL = high, this selects wideband warp mode with slightly improved linearity and THD. When WARP = high and NORMAL = low, this selects warp mode. In either mode, these are the fastest modes; maximum throughput is achievable, and a minimum conversion rate must be applied to guarantee full specified accuracy.																				
7	$\overline{\text{NORMAL}}$	DI	Conversion Mode Selection. When $\overline{\text{NORMAL}}$ = low and WARP = low, this input selects normal mode where full accuracy is maintained independent of the minimum conversion rate.																				
8	D1/A0	DI/O	When MODE[1:0] = 0, this pin is Bit 1 of the parallel port data output bus. In all other modes, this input pin controls the form in which data is output as shown in Table 7.																				
9	D2/A1	DI/O	When MODE[1:0] = 0, this pin is Bit 2 of the parallel port data output bus. When MODE[1:0] = 1 or 2, this input pin controls the form in which data is output as shown in Table 7.																				
10	D3	DO	When MODE[1:0] = 0, 1, or 2, this output is used as Bit 3 of the parallel port data output bus. This pin is always an output, regardless of the interface mode.																				
11, 12	D[4:5] or DIVSCLK[0:1]	DI/O	When MODE[1:0] = 0, 1, or 2, these pins are Bit 4 and Bit 5 of the parallel port data output bus. When MODE[1:0] = 3 (serial mode), serial clock division selection. When using serial master read after convert mode (EXT/INT = low, RDC/SDIN = low), these inputs can be used to slow down the internally generated serial clock that clocks the data output. In other serial modes, these pins are high impedance outputs.																				



Pin No.	Mnemonic	Type <sup>1</sup>	Description
13	D6 or EXT/ $\overline{\text{INT}}$	DI/O	When MODE[1:0] = 0, 1, or 2, this output is used as Bit 6 of the parallel port data output bus. When MODE[1:0] = 3, (serial mode), serial clock source select. This input is used to select the internally generated (master) or external (slave) serial data clock. When EXT/ $\overline{\text{INT}}$ = low, master mode. The internal serial clock is selected on SCLK output. When EXT/ $\overline{\text{INT}}$ = high, slave mode. The output data is synchronized to an external clock signal, gated by $\overline{\text{CS}}$ , connected to the SCLK input.
14	D7 or INVS $\overline{\text{SYNC}}$	DI/O	When MODE[1:0] = 0, 1, or 2, this output is used as Bit 7 of the parallel port data output bus. When MODE[1:0] = 3, (serial mode), invert sync select. In serial master mode (EXT/ $\overline{\text{INT}}$ = low), this input is used to select the active state of the SYNC signal. When INVS $\overline{\text{SYNC}}$ = low, SYNC is active high. When INVS $\overline{\text{SYNC}}$ = high, SYNC is active low.
15	D8 or INV $\overline{\text{SCLK}}$	DI/O	When MODE[1:0] = 0, 1, or 2, this output is used as Bit 8 of the parallel port data output bus. When MODE[1:0] = 3, (serial mode), invert SCLK select. In all serial modes, this input is used to invert the SCLK signal.
16	D9 or RDC  or SDIN	DI/O	When MODE[1:0] = 0, 1, or 2, this output is used as bit 9 of the parallel port data output bus. When MODE[1:0] = 3, (serial mode), read during convert. When using serial master mode (EXT/ $\overline{\text{INT}}$ = low), RDC is used to select the read mode. When RDC = high, the previous conversion result is output on SDO $\overline{\text{UT}}$ during conversion and the period of SCLK changes (see the Master Serial Interface section). When RDC = low (read after convert), the current result can be output on SDO $\overline{\text{UT}}$ only when the conversion is complete. When MODE[1:0] = 3, (serial mode), serial data in. When using serial slave mode, (EXT/ $\overline{\text{INT}}$ = high), SDIN could be used as a data input to daisy-chain the conversion results from two or more ADCs onto a single SDO $\overline{\text{UT}}$ line. The digital data level on SDIN is output on SDO $\overline{\text{UT}}$ with a delay of 18 SCLK periods after the initiation of the read sequence.
17	OGND	P	Input/Output Interface Digital Power Ground.
18	OVDD	P	Input/Output Interface Digital Power. Nominally at the same supply as the supply of the host interface (2.5 V or 3 V).
19	DVDD	P	Digital Power. Nominally at 2.5 V.
20	DGND	P	Digital Power Ground.
21	D10 or SDO $\overline{\text{UT}}$	DO	When MODE[1:0] = 0, 1, or 2, this output is used as Bit 10 of the parallel port data output bus. When MODE[1:0] = 3, (serial mode), serial data output. In serial mode, this pin is used as the serial data output synchronized to SCLK. Conversion results are stored in an on-chip register. The AD7641 provides the conversion result, MSB first, from its internal shift register. The data format is determined by the logic level of OB/ $\overline{\text{ZC}}$ . In master mode, EXT/ $\overline{\text{INT}}$ = low. SDO $\overline{\text{UT}}$ is valid on both edges of SCLK. In slave mode, EXT/ $\overline{\text{INT}}$ = high: When INV $\overline{\text{SCLK}}$ = low, SDO $\overline{\text{UT}}$ is updated on SCLK rising edge and valid on the next falling edge. When INV $\overline{\text{SCLK}}$ = high, SDO $\overline{\text{UT}}$ is updated on SCLK falling edge and valid on the next rising edge.
22	D11 or SCLK	DI/O	When MODE[1:0] = 0, 1, or 2, this output is used as Bit 11 of the parallel port data output bus. When MODE[1:0] = 3, (serial mode), serial clock. In all serial modes, this pin is used as the serial data clock input or output, depending upon the logic state of the EXT/ $\overline{\text{INT}}$ pin. The active edge where the data SDO $\overline{\text{UT}}$ is updated depends on the logic state of the INV $\overline{\text{SCLK}}$ pin.
23	D12 or SYNC	DO	When MODE[1:0] = 0, 1, or 2, this output is used as Bit 12 of the parallel port data output bus. When MODE[1:0] = 3, (serial mode), frame synchronization. In serial master mode (EXT/ $\overline{\text{INT}}$ = low), this output is used as a digital output frame synchronization for use with the internal data clock. When a read sequence is initiated and INVS $\overline{\text{SYNC}}$ = low, SYNC is driven high and remains high while SDO $\overline{\text{UT}}$ output is valid. When a read sequence is initiated and INVS $\overline{\text{SYNC}}$ = high, SYNC is driven low and remains low while SDO $\overline{\text{UT}}$ output is valid.
24	D13 or RDERROR	DO	When MODE[1:0] = 0, 1, or 2, this output is used as Bit 13 of the parallel port data output bus. When MODE[1:0] = 3, (serial mode), read error. In serial slave mode (EXT/ $\overline{\text{INT}}$ = high), this output is used as an incomplete read error flag. If a data read is started and not completed when the current conversion is complete, the current data is lost and RDERROR is pulsed high.

# AD7641

Pin No.	Mnemonic	Type <sup>1</sup>	Description
25 to 28	D[14:17]	DO	Bit 14 to Bit 17 of the parallel port data output bus. These pins are always outputs, regardless of the interface mode.
29	BUSY	DO	Busy Output. Transitions high when a conversion is started and remains high until the conversion is complete and the data is latched into the on-chip shift register. The falling edge of BUSY can be used as a data-ready clock signal.
30	DGND	P	Digital Power Ground.
31	$\overline{RD}$	DI	Read Data. When $\overline{CS}$ and $\overline{RD}$ are both low, the interface parallel or serial output bus is enabled.
32	$\overline{CS}$	DI	Chip Select. When $\overline{CS}$ and $\overline{RD}$ are both low, the interface parallel or serial output bus is enabled. $\overline{CS}$ is also used to gate the external clock in slave serial mode.
33	RESET	DI	Reset Input. When high, resets the AD7641. Current conversion, if any, is aborted. Falling edge of RESET enables the calibration mode indicated by pulsing BUSY high. Refer to the Digital Interface section. If not used, this pin can be tied to DGND.
34	PD	DI	Power-Down Input. When high, power downs the ADC. Power consumption is reduced and conversions are inhibited after the current one is completed.
35	$\overline{CNVST}$	DI	Conversion Start. A falling edge on $\overline{CNVST}$ puts the internal sample-and-hold into the hold state and initiates a conversion.
37	REF	AI/O	Reference Output/Input. When PDREF/PDBUF = low, the internal reference and buffer are enabled producing 2.048 V on this pin. When PDREF/PDBUF = high, the internal reference and buffer are disabled allowing an externally supplied voltage reference up to AVDD volts. Decoupling is required with or without the internal reference and buffer. Refer to the Voltage Reference Input section.
38	REFGND	AI	Reference Input Analog Ground.
39	IN-	AI	Differential Negative Analog Input.
40	NC		No Connect.
43	IN+	AI	Differential Positive Analog Input.
45	TEMP	AO	Temperature Sensor Analog Output.
46	REFBUFIN	AI/O	Internal Reference Output/Reference Buffer Input. When PDREF/PDBUF = low, the internal reference and buffer are enabled producing the 1.2 V (typical) band gap output on this pin, which needs external decoupling. The internal fixed gain reference buffer uses this to produce 2.048 V on the REF pin. When using an external reference with the internal reference buffer (PDBUF = low, PDREF = high), applying 1.2 V on this pin produces 2.048 V on the REF pin. Refer to the Voltage Reference Input section.
47	PDREF	DI	Internal Reference Power-Down Input. When low, the internal reference is enabled. When high, the internal reference is powered down and an external reference must be used.
48	PDBUF	DI	Internal Reference Buffer Power-Down Input. When low, the buffer is enabled (must be low when using internal reference). When high, the buffer is powered-down.

<sup>1</sup> AI = analog input; AI/O = bidirectional analog; AO = analog output; DI = digital input; DI/O = bidirectional digital; DO = digital output; P = power.

**Table 7. Data Bus Interface Definition**

MODE	MODE1	MODE0	D0/OB/ $\overline{2C}$	D1/A0	D2/A1	D[3]	D[4:9]	D[10:11]	D[12:15]	D[16:17]	Description
0	0	0	R[0]	R[1]	R[2]	R[3]	R[4:9]	R[10:11]	R[12:15]	R[16:17]	18-Bit Parallel
1	0	1	OB/ $\overline{2C}$	A0 = 0	R[2]	R[3]	R[4:9]	R[10:11]	R[12:15]	R[16:17]	16-Bit High Word
1	0	1	OB/ $\overline{2C}$	A0 = 1	R[0]	R[1]	All Zeros				16-Bit Low Word
2	1	0	OB/ $\overline{2C}$	A0 = 0	A1 = 0	All Hi-Z		R[10:11]	R[12:15]	R[16:17]	8-Bit High Byte
2	1	0	OB/ $\overline{2C}$	A0 = 0	A1 = 1	All Hi-Z		R[2:3]	R[4:7]	R[8:9]	8-Bit Mid Byte
2	1	0	OB/ $\overline{2C}$	A0 = 1	A1 = 0	All Hi-Z		R[0:1]	All Zeros		8-Bit Low Byte
2	1	0	OB/ $\overline{2C}$	A0 = 1	A1 = 1	All Hi-Z		All Zeros		R[0:1]	8-Bit Low Byte
3	1	1	OB/ $\overline{2C}$	All Hi-Z			Serial Interface				Serial Interface

## TERMINOLOGY

### Integral Nonlinearity Error (INL)

Linearity error refers to the deviation of each individual code from a line drawn from negative full scale through positive full scale. The point used as negative full scale occurs  $\frac{1}{2}$  LSB before the first code transition. Positive full scale is defined as a level  $1\frac{1}{2}$  LSB beyond the last code transition. The deviation is measured from the middle of each code to the true straight line.

### Differential Nonlinearity Error (DNL)

In an ideal ADC, code transitions are 1 LSB apart. Differential nonlinearity is the maximum deviation from this ideal value. It is often specified in terms of resolution for which no missing codes are guaranteed.

### Gain Error

The first transition (from 000...00 to 000...01) should occur for an analog voltage  $\frac{1}{2}$  LSB above the nominal negative full scale ( $-2.0479922$  V for the  $\pm 2.048$  V range). The last transition (from 111...10 to 111...11) should occur for an analog voltage  $1\frac{1}{2}$  LSB below the nominal full scale ( $+2.0479766$  V for the  $\pm 2.048$  V range). The gain error is the deviation of the difference between the actual level of the last transition and the actual level of the first transition from the difference between the ideal levels.

### Zero Error

The zero error is the difference between the ideal midscale input voltage (0 V) and the actual voltage producing the midscale output code.

### Dynamic Range

It is the ratio of the rms value of the full scale to the rms noise measured with the inputs shorted together. The value for dynamic range is expressed in decibels.

### Signal-to-Noise Ratio (SNR)

SNR is the ratio of the rms value of the actual input signal to the rms sum of all other spectral components below the Nyquist frequency, excluding harmonics and dc. The value for SNR is expressed in decibels.

### Total Harmonic Distortion (THD)

THD is the ratio of the rms sum of the first five harmonic components to the rms value of a full-scale input signal and is expressed in decibels.

### Signal to (Noise + Distortion) Ratio (SINAD)

SINAD is the ratio of the rms value of the actual input signal to the rms sum of all other spectral components below the Nyquist frequency, including harmonics but excluding dc. The value for SINAD is expressed in decibels.

### Spurious-Free Dynamic Range (SFDR)

The difference, in decibels (dB), between the rms amplitude of the input signal and the peak spurious signal.

### Effective Number of Bits (ENOB)

ENOB is a measurement of the resolution with a sine wave input. It is related to SINAD and is expressed in bits by

$$ENOB = [(SINAD_{dB} - 1.76)/6.02]$$

### Aperture Delay

Aperture delay is a measure of the acquisition performance and is measured from the falling edge of the  $\overline{CNVST}$  input to when the input signal is held for a conversion.

### Transient Response

The time required for the AD7641 to achieve its rated accuracy after a full-scale step function is applied to its input.

### Reference Voltage Temperature Coefficient

It is derived from the typical shift of output voltage at  $25^{\circ}\text{C}$  on a sample of parts maximum and minimum reference output voltage ( $V_{REF}$ ) measured at  $T_{MIN}$ ,  $T(25^{\circ}\text{C})$ , and  $T_{MAX}$ . It is expressed in ppm/ $^{\circ}\text{C}$  using

$$TCV_{REF}(\text{ppm}/^{\circ}\text{C}) = \frac{V_{REF}(\text{Max}) - V_{REF}(\text{Min})}{V_{REF}(25^{\circ}\text{C}) \times (T_{MAX} - T_{MIN})} \times 10^6$$

where:

$V_{REF}(\text{Max})$  = Maximum  $V_{REF}$  at  $T_{MIN}$ ,  $T(25^{\circ}\text{C})$ , or  $T_{MAX}$

$V_{REF}(\text{Min})$  = Minimum  $V_{REF}$  at  $T_{MIN}$ ,  $T(25^{\circ}\text{C})$ , or  $T_{MAX}$

$V_{REF}(25^{\circ}\text{C})$  =  $V_{REF}$  at  $25^{\circ}\text{C}$

$T_{MAX}$  =  $+85^{\circ}\text{C}$

$T_{MIN}$  =  $-40^{\circ}\text{C}$

TYPICAL PERFORMANCE CHARACTERISTICS

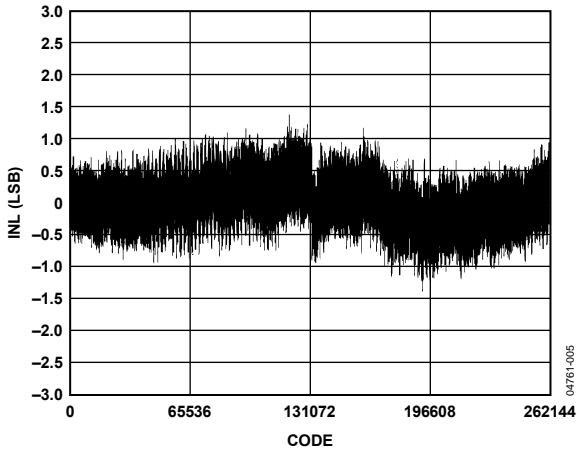


Figure 5. Integral Nonlinearity vs. Code

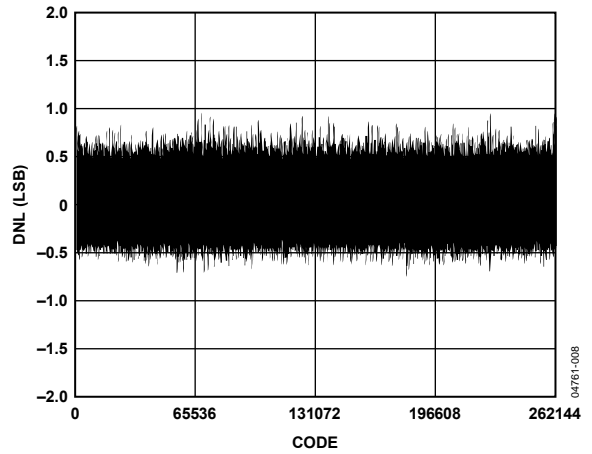


Figure 8. Differential Nonlinearity vs. Code

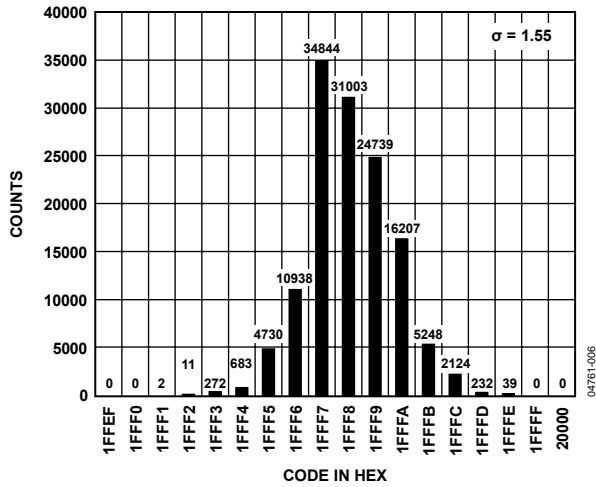


Figure 6. Histogram of 261,120 Conversions of a DC Input at the Code Center (External Reference)

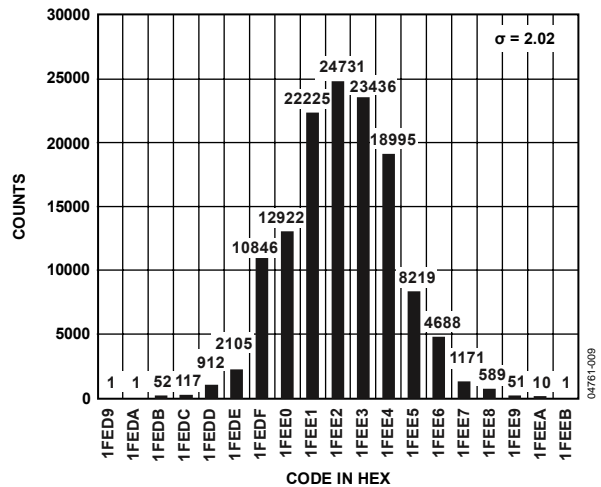


Figure 9. Histogram of 261,120 Conversions of a DC Input at the Code Center (Internal Reference)

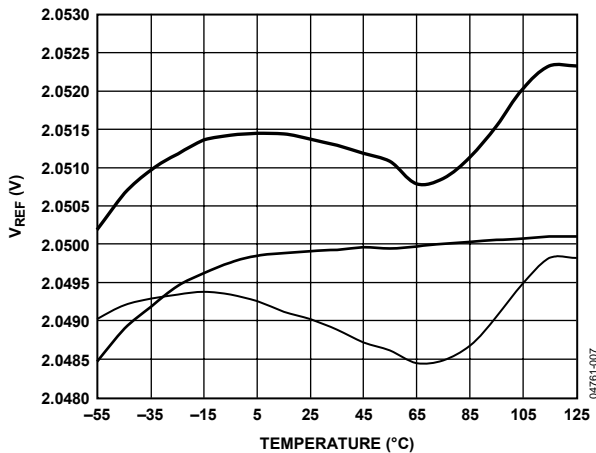


Figure 7. Typical Reference Voltage Output vs. Temperature (3 Units)

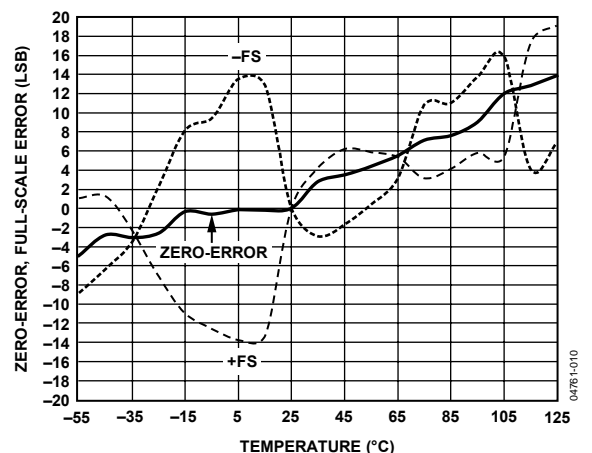
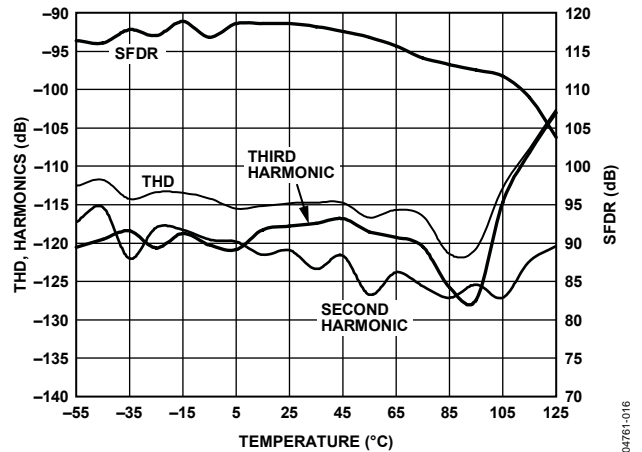
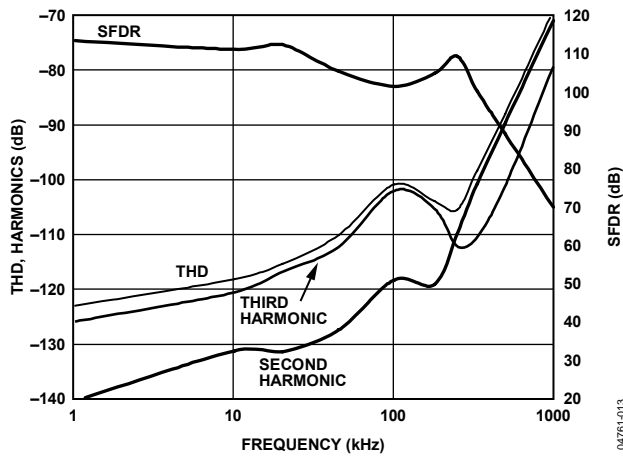
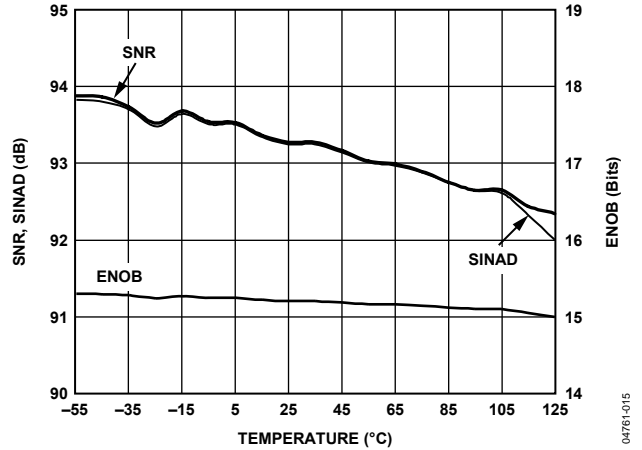
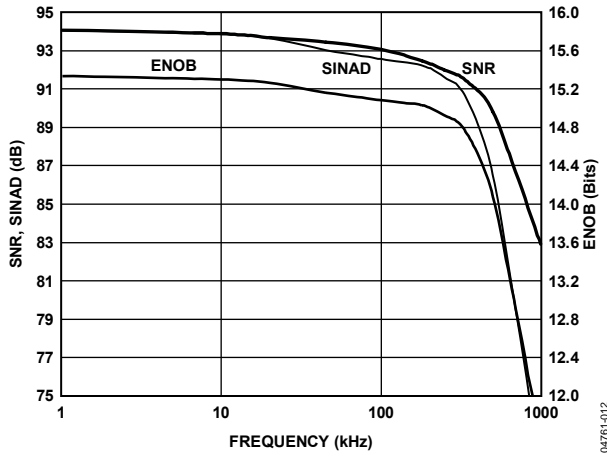
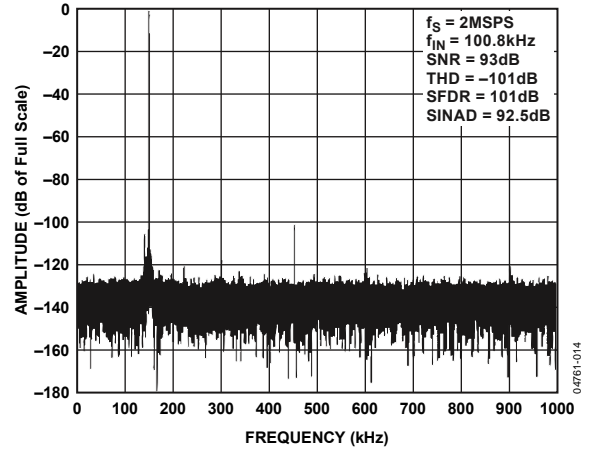
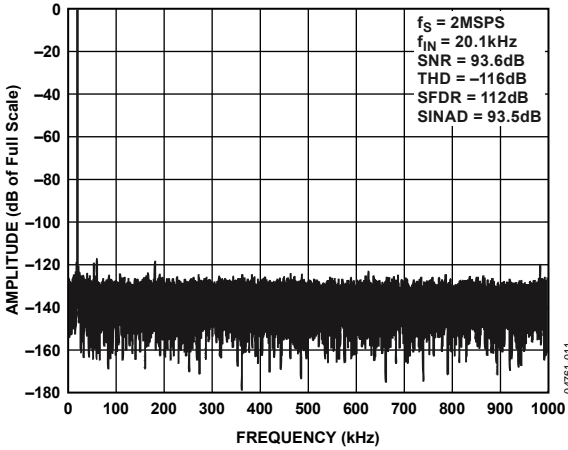


Figure 10. Zero Error, Positive and Negative Full Scale vs. Temperature



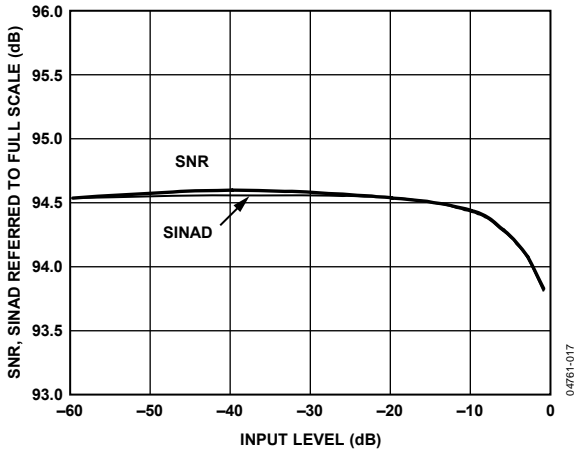


Figure 17. SNR and SINAD vs. Input Level (Referred to Full Scale)

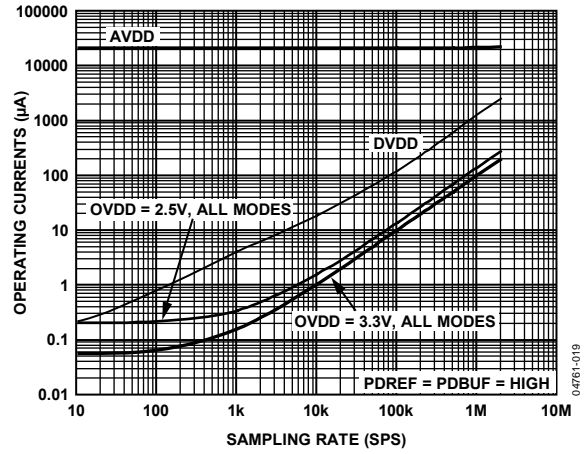


Figure 19. Operating Current vs. Sample Rate

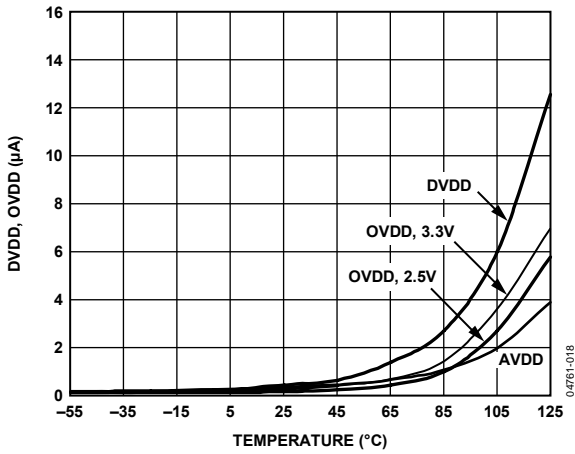


Figure 18. Power-Down Operating Currents vs. Temperature

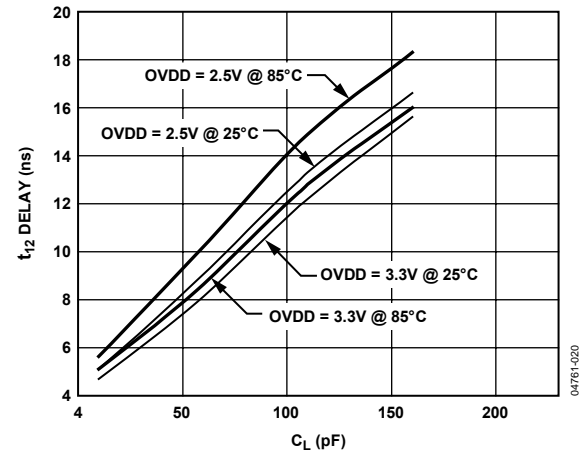


Figure 20. Typical Delay vs. Load Capacitance  $C_L$

## APPLICATIONS INFORMATION

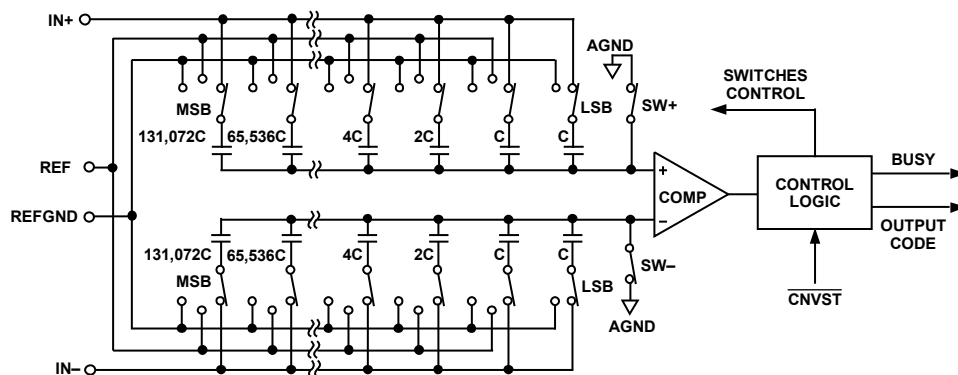


Figure 21. ADC Simplified Schematic

### CIRCUIT INFORMATION

The AD7641 is a very fast, low power, single-supply, precise 18-bit ADC using successive approximation architecture. The AD7641 features different modes to optimize performances according to the applications. In warp mode, the AD7641 is capable of converting 2,000,000 samples per second (2 MSPS).

The AD7641 provides the user with an on-chip track-and-hold, successive approximation ADC that does not exhibit any pipeline or latency, making it ideal for multiple multiplexed channel applications.

The AD7641 can operate from a single 2.5 V supply and interface to either 5 V, 3.3 V, or 2.5 V digital logic. It is housed in a 48-lead LQFP package or a tiny 48-lead LFCSP package, which combines space savings with flexibility and allows the AD7641 to be configured as either a serial or a parallel interface. The AD7641 is pin-to-pin-compatible and is a speed upgrade of the [AD7674](#), [AD7678](#), and [AD7679](#).

### CONVERTER OPERATION

The AD7641 is a successive approximation ADC based on a charge redistribution DAC. Figure 21 shows the simplified schematic of the ADC. The capacitive DAC consists of two identical arrays of 16 binary weighted capacitors that are connected to the two comparator inputs.

During the acquisition phase, terminals of the array tied to the comparator's input are connected to AGND via SW+ and SW-. All independent switches are connected to the analog inputs. Therefore, the capacitor arrays are used as sampling capacitors and acquire the analog signal on the IN+ and IN- inputs. A conversion phase is initiated once the acquisition phase is complete and the CNVST input goes low. When the conversion phase begins, SW+ and SW- are opened first. The two capacitor arrays are then disconnected from the inputs and connected to the REFGND input. Therefore, the differential voltage between the inputs (IN+ and IN-) captured at the end of the acquisition phase is applied to the comparator inputs, causing the

comparator to become unbalanced. By switching each element of the capacitor array between REFGND and REF, the comparator input varies by binary weighted voltage steps ( $V_{REF}/2$ ,  $V_{REF}/4$  through  $V_{REF}/131072$ ). The control logic toggles these switches, starting with the MSB first, to bring the comparator back into a balanced condition. After the completion of this process, the control logic generates the ADC output code and brings BUSY output low.

### MODES OF OPERATION

The AD7641 features three modes of operations: wideband warp, warp, and normal. Each of these modes is more suitable for specific applications.

The wideband warp ( $\overline{\text{WARP}} = \text{high}$ ,  $\overline{\text{NORMAL}} = \text{high}$ ) and warp ( $\overline{\text{WARP}} = \text{high}$ ,  $\overline{\text{NORMAL}} = \text{low}$ ) modes allow the fastest conversion rate of up to 2 MSPS. However, in these modes, the full specified accuracy is guaranteed only when the time between conversions does not exceed 1 ms. If the time between two consecutive conversions is longer than 1 ms (for instance after power-up), the first conversion result should be ignored. These modes make the AD7641 ideal for applications where both high accuracy and fast sample rates are required. Wideband warp mode offers slightly improved linearity and THD over warp mode.

Normal mode ( $\overline{\text{NORMAL}} = \text{low}$ ,  $\overline{\text{WARP}} = \text{low}$ ) is the fastest mode (1.5 MSPS) without any limitation on time between conversions. This mode makes the AD7641 ideal for asynchronous applications, such as data acquisition systems, where both high accuracy and fast sample rates are required.

# AD7641

## TRANSFER FUNCTIONS

Using the  $\overline{OB}/2\overline{C}$  digital input, except in 18-bit interface mode, the AD7641 offers two output codings: straight binary and twos complement. The LSB size with  $V_{REF} = 2.048\text{ V}$  is  $2 \times V_{REF}/262,144$ , which is  $15.623\text{ }\mu\text{V}$ . Refer to Figure 22 and Table 8 for the ideal transfer characteristic.

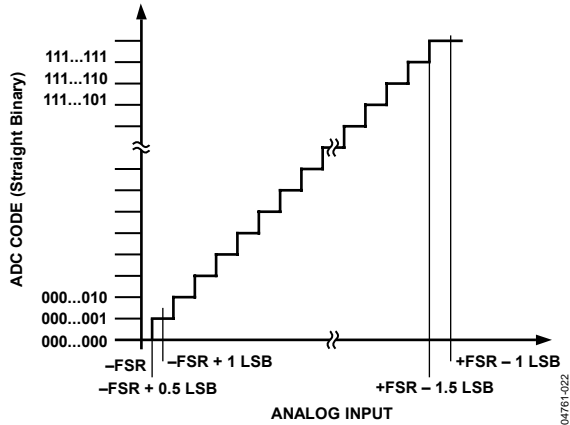


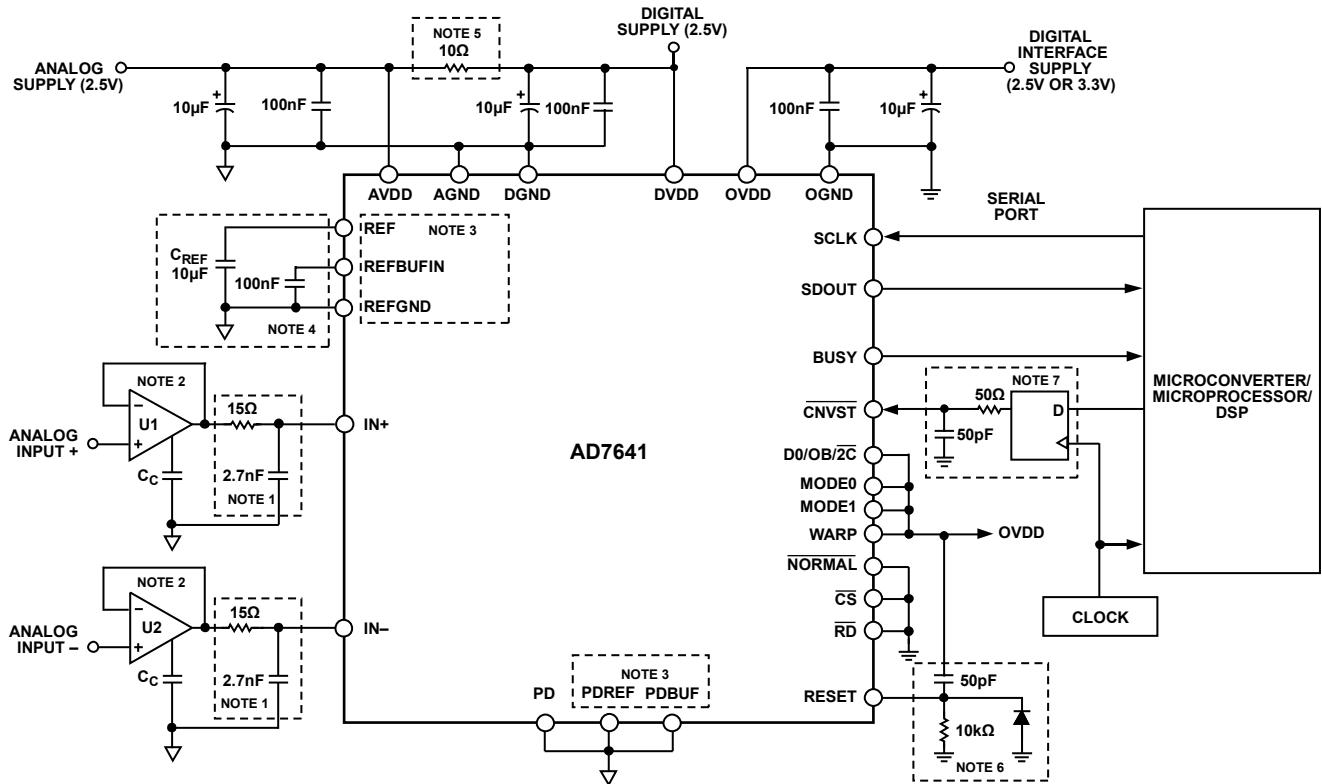
Figure 22. ADC Ideal Transfer Function

Table 8. Output Codes and Ideal Input Voltages

Description	Analog Input $V_{REF} = 2.048\text{ V}$	Digital Output Code (Hex)	
		Straight Binary	Twos Complement
FSR - 1 LSB	+2.0479844 V	0x3FFFF <sup>1</sup>	0x1FFFF <sup>1</sup>
FSR - 2 LSB	+2.0479688 V	0x3FFFE	0x1FFFE
Midscale + 1 LSB	+15.625 $\mu\text{V}$	0x20001	0x00001
Midscale	0 V	0x20000	0x00000
Midscale - 1 LSB	-15.625 $\mu\text{V}$	0x1FFFF	0x3FFFF
-FSR + 1 LSB	-2.0479844 V	0x30001	0x20001
-FSR	-2.048 V	0x30000 <sup>2</sup>	0x20000 <sup>2</sup>

<sup>1</sup> This is also the code for overrange analog input ( $V_{IN+} - V_{IN-}$  above  $+V_{REF} - V_{REFGND}$ ).

<sup>2</sup> This is also the code for underrange analog input ( $V_{IN+} - V_{IN-}$  below  $-V_{REF} + V_{REFGND}$ ).



1. SEE ANALOG INPUTS SECTION.
2. THE AD8021 IS RECOMMENDED. SEE DRIVER AMPLIFIER CHOICE SECTION.
3. THE CONFIGURATION SHOWN IS USING THE INTERNAL REFERENCE. SEE VOLTAGE REFERENCE INPUT SECTION.
4. A  $10\text{ }\mu\text{F}$  CERAMIC CAPACITOR (X5R, 1206 SIZE) IS RECOMMENDED (FOR EXAMPLE, PANASONIC ECJ3YB0J106M).  
SEE VOLTAGE REFERENCE INPUT SECTION.
5. OPTION, SEE POWER SUPPLY SECTION.
6. OPTION, SEE POWER-UP SECTION.
7. OPTIONAL LOW JITTER  $\overline{CNVST}$ , SEE CONVERSION CONTROL SECTION.

Figure 23. Typical Connection Diagram

04761-023



## TYPICAL CONNECTION DIAGRAM

Figure 23 shows a typical connection diagram for the AD7641. Different circuitry shown in this diagram is optional and is discussed in the following sections.

### ANALOG INPUTS

Figure 24 shows an equivalent circuit of the input structure of the AD7641.

The two diodes,  $D_1$  and  $D_2$ , provide ESD protection for the analog inputs  $IN+$  and  $IN-$ . Care must be taken to ensure that the analog input signal never exceeds the supply rails by more than 0.3 V, because this causes the diodes to become forward-biased and start conducting current. These diodes can handle a forward-biased current of 100 mA maximum. For instance, these conditions could eventually occur when the input buffer's  $U1$  or  $U2$  supplies are different from  $AVDD$ . In such a case, an input buffer with a short-circuit current limitation can be used to protect the part.

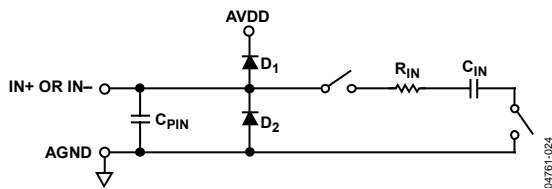


Figure 24. AD7641 Simplified Analog Input

The analog input of the AD7641 is a true differential structure. By using this differential input, small signals common to both inputs are rejected, as shown in Figure 25, representing the typical CMRR over frequency with internal and external references.

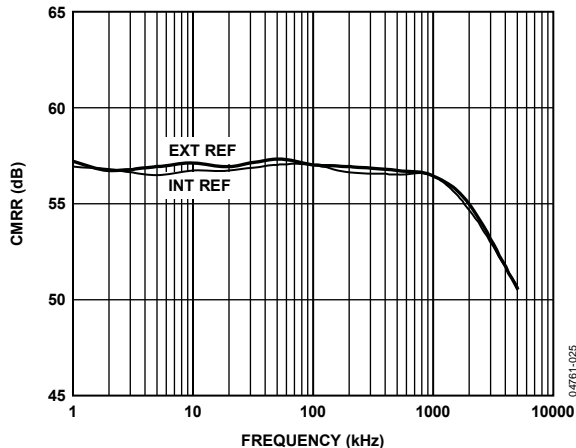


Figure 25. Analog Input CMRR vs. Frequency

During the acquisition phase for ac signals, the impedance of the analog inputs,  $IN+$  and  $IN-$ , can be modeled as a parallel combination of capacitor  $C_{PIN}$  and the network formed by the series connection of  $R_{IN}$  and  $C_{IN}$ .  $C_{PIN}$  is primarily the pin capacitance.  $R_{IN}$  is typically  $175 \Omega$  and is a lumped component comprised of some serial resistors and the on resistance of the

switches.  $C_{IN}$  is typically 12 pF and is mainly the ADC sampling capacitor. During the conversion phase, when the switches are opened, the input impedance is limited to  $C_{PIN}$ .  $R_{IN}$  and  $C_{IN}$  make a 1-pole, low-pass filter that has a typical  $-3$  dB cutoff frequency of 50 MHz, thereby reducing an undesirable aliasing effect and limiting the noise coming from the inputs.

Because the input impedance of the AD7641 is very high, the AD7641 can be directly driven by a low impedance source without gain error. To further improve the noise filtering achieved by the AD7641 analog input circuit, an external 1-pole RC filter between the amplifier's outputs and the ADC analog inputs can be used, as shown in Figure 23. However, large source impedances significantly affect the ac performance, especially the total harmonic distortion (THD). The maximum source impedance depends on the amount of THD that can be tolerated. The THD degrades as a function of the source impedance and the maximum input frequency.

### MULTIPLEXED INPUTS

When using the full 2 MSPS throughput in multiplexed applications for a full-scale step, the RC filter, as shown in Figure 23, does not settle in the required acquisition time,  $t_s$ . These values are chosen to optimize the best SNR performance of the AD7641. To use the full 2 MSPS throughput in multiplexed applications, the RC should be adjusted to satisfy  $t_s$  (which is  $\sim 8.5 \times RC$  time constant). However, lowering  $R$  and  $C$  increases the RC filter bandwidth and allows more noise into the AD7641, which degrades SNR. To preserve the SNR performance in these applications using the RC filter shown in Figure 23, the AD7641 should be run with  $t_s > 350$  ns; or approximately  $1/(t_r + t_s) \sim 1.35$  MSPS in wideband and warp modes.

### DRIVER AMPLIFIER CHOICE

Although the AD7641 is easy to drive, the driver amplifier needs to meet the following requirements:

- For multichannel, multiplexed applications, the driver amplifier and the AD7641 analog input circuit must be able to settle for a full-scale step of the capacitor array at an 18-bit level (0.0004%). In the amplifier's data sheet, settling at 0.1% to 0.01% is more commonly specified. This could differ significantly from the settling time at a 18-bit level and should be verified prior to driver selection. The AD8021 op amp, which combines ultralow noise and high gain bandwidth, meets this settling time requirement even when used with gains up to 13.



However, because the AD7641 has a fine lead pitch, guarding this node is not practical. Therefore, in these industrial and other types of applications, it is recommended to use a conformal coating, such as Dow Corning® 1-2577 or HumiSeal® 1B73.

#### **External 1.2 V Reference and Internal Buffer (PDBUF = Low, PDREF = High)**

To use an external reference along with the internal buffer, PDREF should be high and PDBUF should be low. This powers down the internal reference and allows the 1.2 V reference to be applied to REFBUFIN, producing 2.048 V (typically) on the REF pin.

#### **External 2.5 V Reference (PDBUF = High, PDREF = High)**

To use an external 2.5 V reference directly on the REF pin, PDREF and PDBUF should both be high.

For improved drift performance, an external reference, such as the AD780 or ADR431, can be used. The advantages of directly using the external voltage reference are:

- The SNR and dynamic range improvement (about 1.7 dB) resulting from the use of a reference voltage very close to the supply (2.5 V) instead of a typical 2.048 V reference when the internal reference is used. This is calculated by

$$SNR = 20 \log \left( \frac{2.048}{2.50} \right)$$

- The power savings when the internal reference is powered down (PDREF high).

PDREF and PDBUF power down the internal reference and the internal reference buffer, respectively. The input current of PDREF and PDBUF should never exceed 20 mA. This can occur when the driving voltage is above AVDD (for instance, at power-up). In this case, a 125 Ω series resistor is recommended.

#### **Reference Decoupling**

Whether using an internal or external reference, the AD7641 voltage reference input (REF) has a dynamic input impedance; therefore, it should be driven by a low impedance source with efficient decoupling between the REF and REFGND inputs. This decoupling depends on the choice of the voltage reference but usually consists of a low ESR capacitor connected to REF and REFGND with minimum parasitic inductance. A 10 μF (X5R, 1206 size) ceramic chip capacitor (or 47 μF tantalum capacitor) is appropriate when using either the internal reference or one of the recommended reference voltages.

The placement of the reference decoupling is also important to the performance of the AD7641. The decoupling capacitor should be mounted on the same side as the ADC right at the REF pin with a thick PCB trace. The REFGND should also connect to the reference decoupling capacitor with the shortest distance.

For applications that use multiple AD7641 devices, it is more effective to use an external reference with the internal reference buffer to buffer the reference voltage. However, because the reference buffers are not unity gain, ratiometric, simultaneously sampled designs should use an external reference and external buffer, such as the AD8031/AD8032; therefore, preserving the same reference level for all converters.

The voltage reference temperature coefficient (TC) directly impacts full scale; therefore, in applications where full-scale accuracy matters, care must be taken with the TC. For instance, a ±4 ppm/°C TC of the reference changes full scale by ±1 LSB/°C.

Note that V<sub>REF</sub> can be increased to AVDD + 0.1 V. Because the input range is defined in terms of V<sub>REF</sub>, this would essentially increase the range to 0 V to 2.8 V with an AVDD = 2.7 V.

#### **Temperature Sensor**

The TEMP pin measures the temperature of the AD7641. To improve the calibration accuracy over the temperature range, the output of the TEMP pin is applied to one of the inputs of the analog switch (such as, ADG779), and the ADC itself is used to measure its own temperature. This configuration is shown in Figure 27.

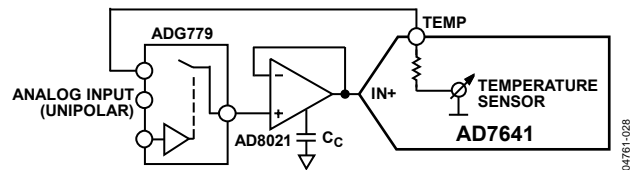


Figure 27. Use of the Temperature Sensor

## POWER SUPPLY

The AD7641 uses three sets of power supply pins: an analog 2.5 V supply AVDD, a digital 2.5 V core supply DVDD, and a digital input/output interface supply OVDD. The OVDD supply allows direct interface with any logic working between 2.3 V and 5.25 V. To reduce the number of supplies needed, the digital core (DVDD) can be supplied through a simple RC filter from the analog supply, as shown in Figure 23.

### Power Sequencing

The AD7641 is independent of power supply sequencing and thus free from supply induced voltage latch-up. In addition, it is very insensitive to power supply variations over a wide frequency range, as shown in Figure 28.

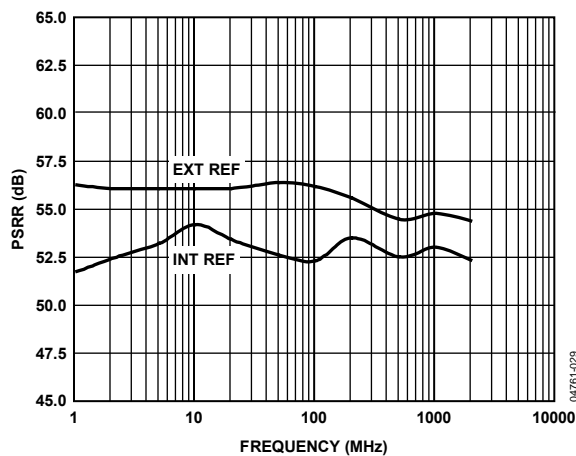


Figure 28. PSRR vs. Frequency

### Power-Up

At power-up, or returning to operational mode from the power-down mode ( $PD = \text{high}$ ), the AD7641 engages an initialization process. During this time, the first 128 conversions should be ignored or the RESET input could be pulsed to engage a faster initialization process. Refer to the Digital Interface section for RESET and timing details.

A simple power-on reset circuit, as shown in Figure 23, can be used to minimize the digital interface. As OVDD powers up, the capacitor is shorted and brings RESET high; it is then charged returning RESET to low. However, this circuit only works when powering up the AD7641 because the power-down mode ( $PD = \text{high}$ ) does not power down any of the supplies and as a result, RESET is low.

It should be noted that the digital interface remains active even during the acquisition phase. To reduce the operating digital supply currents even further, drive the digital inputs close to the power rails (that is, OVDD and OGND).

## CONVERSION CONTROL

The AD7641 is controlled by the  $\overline{\text{CNVST}}$  input. A falling edge on  $\overline{\text{CNVST}}$  is all that is necessary to initiate a conversion. Detailed timing diagrams of the conversion process are shown in Figure 29. Once initiated, it cannot be restarted or aborted, even by the power-down input, PD, until the conversion is complete. The  $\overline{\text{CNVST}}$  signal operates independently of  $\overline{\text{CS}}$  and  $\overline{\text{RD}}$  signals.

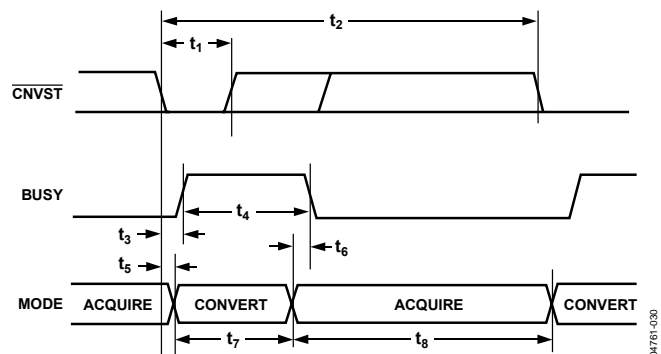


Figure 29. Basic Conversion Timing

For optimal performance, the rising edge of  $\overline{\text{CNVST}}$  should not occur after the maximum  $\overline{\text{CNVST}}$  low time,  $t_1$ , or until the end of conversion.

Although  $\overline{\text{CNVST}}$  is a digital signal, it should be designed with special care with fast, clean edges and levels with minimum overshoot and undershoot or ringing.

The  $\overline{\text{CNVST}}$  trace should be shielded with ground and a low value serial resistor (for example, 50  $\Omega$ ) termination should be added close to the output of the component that drives this line. In addition, a 50 pF capacitor is recommended to further reduce the effects of overshoot and undershoot as shown in Figure 23.

For applications where SNR is critical, the  $\overline{\text{CNVST}}$  signal should have very low jitter. This can be achieved by using a dedicated oscillator for  $\overline{\text{CNVST}}$  generation, or by clocking  $\overline{\text{CNVST}}$  with a high frequency, low jitter clock, as shown in Figure 23.

## INTERFACES

### DIGITAL INTERFACE

The AD7641 has a versatile digital interface that can be set up as either a serial or a parallel interface with the host system. The serial interface is multiplexed on the parallel data bus. The AD7641 digital interface also accommodates 2.5 V, 3.3 V, or 5 V logic with either OVDD at 2.5 V or 3.3 V. OVDD defines the logic high output voltage. In most applications, the OVDD supply pin of the AD7641 is connected to the host system interface 2.5 V or 3.3 V digital supply. By using the D0/OB/ $\overline{2C}$  input pin, either twos complement or straight binary coding can be used.

The two signals  $\overline{CS}$  and  $\overline{RD}$  control the interface. When at least one of these signals is high, the interface outputs are in high impedance. Usually,  $\overline{CS}$  allows the selection of each AD7641 in multicircuit applications and is held low in a single AD7641 design.  $\overline{RD}$  is generally used to enable the conversion result on the data bus.

### RESET

The RESET input is used to reset the AD7641 and generate a fast initialization. A rising edge on RESET aborts the current conversion (if any) and tristates the data bus. The falling edge of RESET clears the data bus and engages the initialization process indicated by pulsing BUSY high. Conversions can take place after the falling edge of BUSY. Refer to Figure 30 for the RESET timing details.

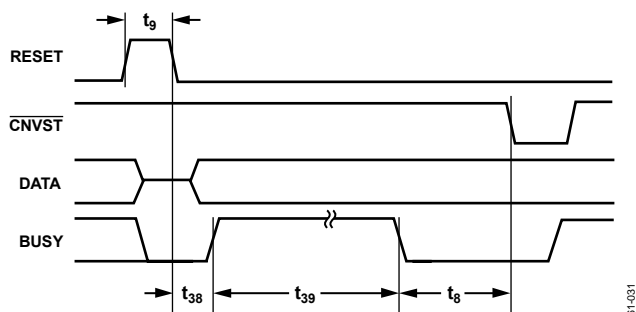


Figure 30. RESET Timing

04761-031

### PARALLEL INTERFACE

The AD7641 is configured to use the parallel interface for an 18-bit, 16-bit, or 8-bit bus width according to Table 7.

#### Master Parallel Interface

Data can be continuously read by tying  $\overline{CS}$  and  $\overline{RD}$  low, thus requiring minimal microprocessor connections. However, in this mode, the data bus is always driven and cannot be used in shared bus applications, unless the device is held in RESET. Figure 31 details the timing for this mode.

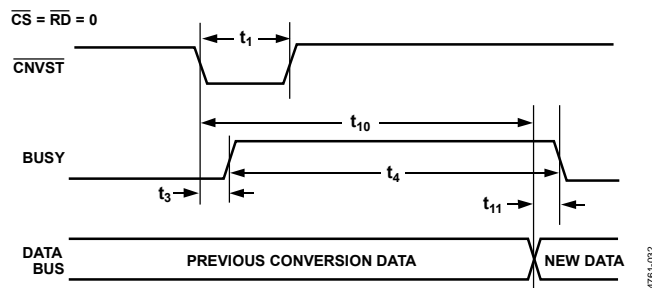


Figure 31. Master Parallel Data Timing for Reading (Continuous Read)

04761-032

#### Slave Parallel Interface

In slave parallel reading mode, the data can be read either after each conversion, which is during the next acquisition phase, or during the following conversion, as shown in Figure 32 and Figure 33, respectively. When the data is read during the conversion, it is recommended that it is read-only during the first half of the conversion phase. This avoids any potential feedthrough between voltage transients on the digital interface and the most critical analog conversion circuitry.

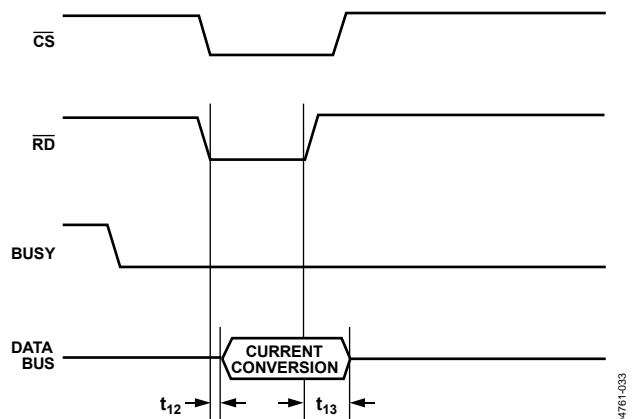


Figure 32. Slave Parallel Data Timing for Reading (Read After Convert)

04761-033

# AD7641

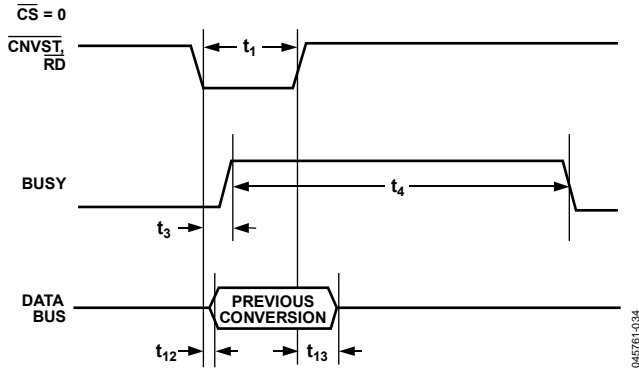


Figure 33. Slave Parallel Data Timing for Reading (Read During Convert)

## 16-Bit and 8-Bit Interface (Master or Slave)

In the 16-bit ( $MODE[1:0] = 1$ ) and 8-bit ( $MODE[1:0] = 2$ ) interfaces, the A0/A1 pins allow a glueless interface to a 16- or 8-bit bus, as shown in Figure 34. By connecting A0/A1 to an address line(s), the data can be read in two words for a 16-bit interface, or three bytes for an 8-bit interface. This interface can be used in both master and slave parallel reading modes. Refer to Table 7 for the full details of the interface.

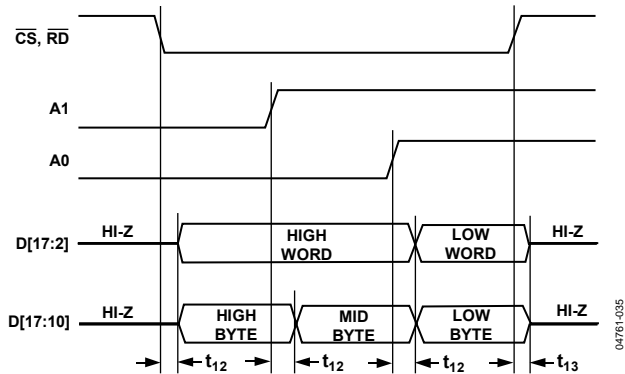


Figure 34. 8-Bit and 16-Bit Parallel Interface

## SERIAL INTERFACE

The AD7641 is configured to use the serial interface when  $MODE[1:0] = 3$ . The AD7641 outputs 18 bits of data, MSB first, on the SDOUT pin. This data is synchronized with the 18 clock pulses provided on the SCLK pin. The output data is valid on both the rising and falling edge of the data clock.

## MASTER SERIAL INTERFACE

### Internal Clock

The AD7641 is configured to generate and provide the serial data clock SCLK when the  $\overline{EXT}/\overline{INT}$  pin is held low. The AD7641 also generates a SYNC signal to indicate to the host when the serial data is valid. The serial clock SCLK and the SYNC signal can be inverted. Depending on the read during convert input, RDC/SDIN, the data can be read after each conversion or during the following conversion. Figure 35 and Figure 36 show detailed timing diagrams of these two modes.

Usually, because the AD7641 is used with a fast throughput, the master read during conversion mode is the most recommended serial mode. In this mode, the serial clock and data toggle at appropriate instants, minimizing potential feedthrough between digital activity and critical conversion decisions. In this mode, the SCLK period changes because the LSBs require more time to settle and the SCLK is derived from the SAR conversion cycle.

In read after conversion mode, it should be noted that unlike other modes, the  $BUSY$  signal returns low after the 18 data bits are pulsed out and not at the end of the conversion phase, resulting in a longer  $BUSY$  width. As a result, the maximum throughput cannot be achieved in this mode.

In addition, in read after convert mode, the SCLK frequency can be slowed down to accommodate different hosts using the  $DIVSCLK[1:0]$  inputs. Refer to Table 4 for the SCLK timing details when using these inputs.

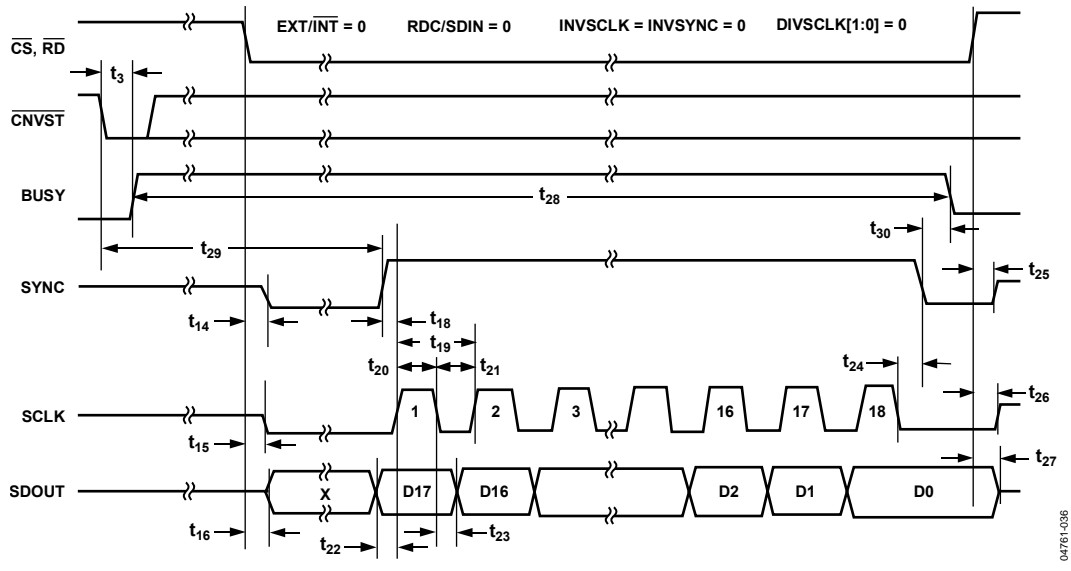


Figure 35. Master Serial Data Timing for Reading (Read After Convert)

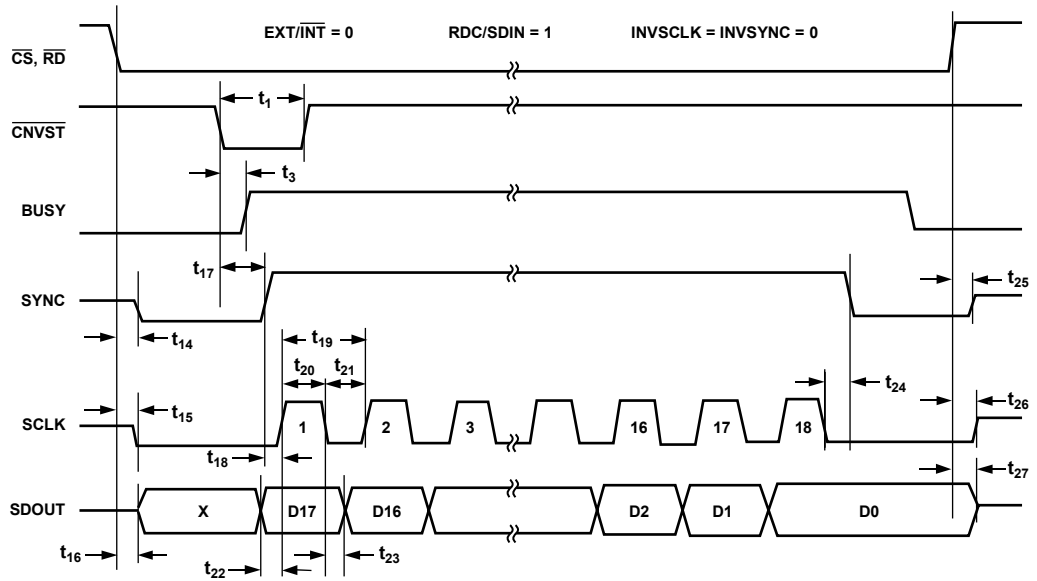


Figure 36. Master Serial Data Timing for Reading (Read Previous Conversion During Convert)

## SLAVE SERIAL INTERFACE

### External Clock

The AD7641 is configured to accept an externally supplied serial data clock on the SCLK pin when the EXT/INT pin is held high. In this mode, several methods can be used to read the data. The external serial clock is gated by  $\overline{CS}$ . When  $\overline{CS}$  and  $\overline{RD}$  are both low, the data can be read after each conversion or during the following conversion. The external clock can be either a continuous or a discontinuous clock. A discontinuous clock can be either normally high or normally low when inactive. Figure 38 and Figure 39 show the detailed timing diagrams of these methods.

While the AD7641 is performing a bit decision, it is important that voltage transients be avoided on digital input/output pins or degradation of the conversion result could occur. This is particularly important during the second half of the conversion phase because the AD7641 provides error correction circuitry that can correct for an improper bit decision made during the first half of the conversion phase. For this reason, it is recommended that when an external clock is being provided, a discontinuous clock is toggled only when  $BUSY$  is low or, more importantly, that it does not transition during the latter half of  $BUSY$  high.

### External Discontinuous Clock Data Read After Conversion

Though the maximum throughput cannot be achieved using this mode, it is the most recommended of the serial slave modes. Figure 38 shows the detailed timing diagrams of this method. After a conversion is complete, indicated by  $BUSY$  returning low, the conversion result can be read while both  $\overline{CS}$  and  $\overline{RD}$  are low. Data is shifted out MSB first with 18 clock pulses and is valid on the rising and falling edges of the clock.

Among the advantages of this method is the fact that conversion performance is not degraded because there are no voltage transients on the digital interface during the conversion process. Another advantage is the ability to read the data at any speed up to 80 MHz, which accommodates both the slow digital host interface and the fast serial reading.

Finally, in this mode only, the AD7641 provides a daisy-chain feature using the RDC/SDIN pin for cascading multiple converters together. This feature is useful for reducing component count and wiring connections when desired, as, for instance, in isolated multiconverter applications.

An example of the concatenation of two devices is shown in Figure 37. Simultaneous sampling is possible by using a common  $\overline{CNVST}$  signal. It should be noted that the RDC/SDIN input is latched on the edge of SCLK opposite to the one used to shift out the data on SDOUT. Therefore, the MSB of the upstream converter just follows the LSB of the downstream converter on the next SCLK cycle.

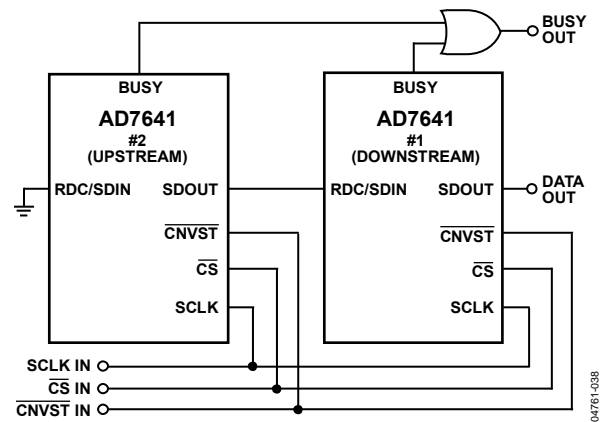


Figure 37. Two AD7641 Devices in a Daisy-Chain Configuration

### External Clock Data Read During Previous Conversion

Figure 39 shows the detailed timing diagrams of this method. During a conversion, while  $\overline{CS}$  and  $\overline{RD}$  are both low, the result of the previous conversion can be read. The data is shifted out, MSB first, with 16 clock pulses and is valid on both the rising and falling edge of the clock. The 18 bits have to be read before the current conversion is complete; otherwise,  $RDERROR$  is pulsed high and can be used to interrupt the host interface to prevent incomplete data reading. There is no daisy-chain feature in this mode, and the RDC/SDIN input should always be tied either high or low.

To reduce performance degradation due to digital activity, a fast discontinuous clock (at least 60 MHz when normal mode is used, or 80 MHz when warp mode is used) is recommended to ensure that all the bits are read during the first half of the SAR conversion phase.

It is also possible to begin to read data after conversion and continue to read the last bits after a new conversion is initiated. However, this is not recommended when using the fastest throughput of any mode because the acquisition time,  $t_s$ , is only 115 ns.

If the maximum throughput is not used, thus allowing more acquisition time, then the use of a slower clock speed can be used to read the data.



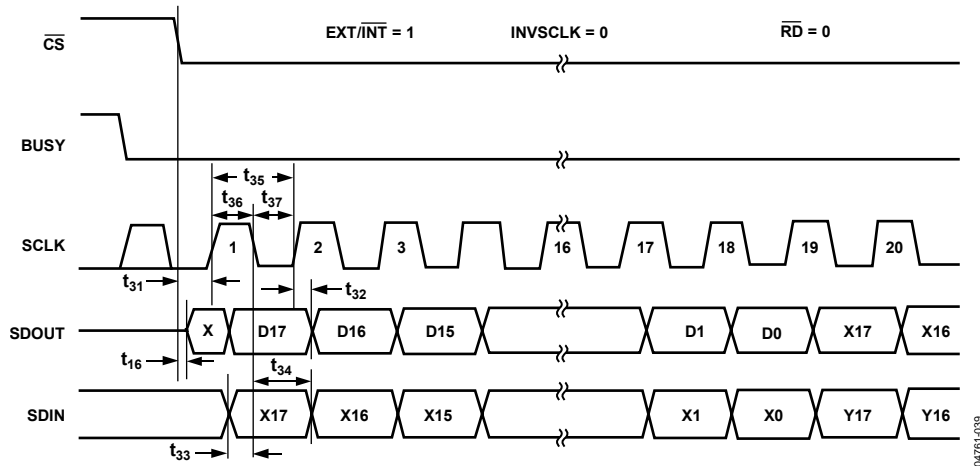


Figure 38. Slave Serial Data Timing for Reading (Read After Convert)

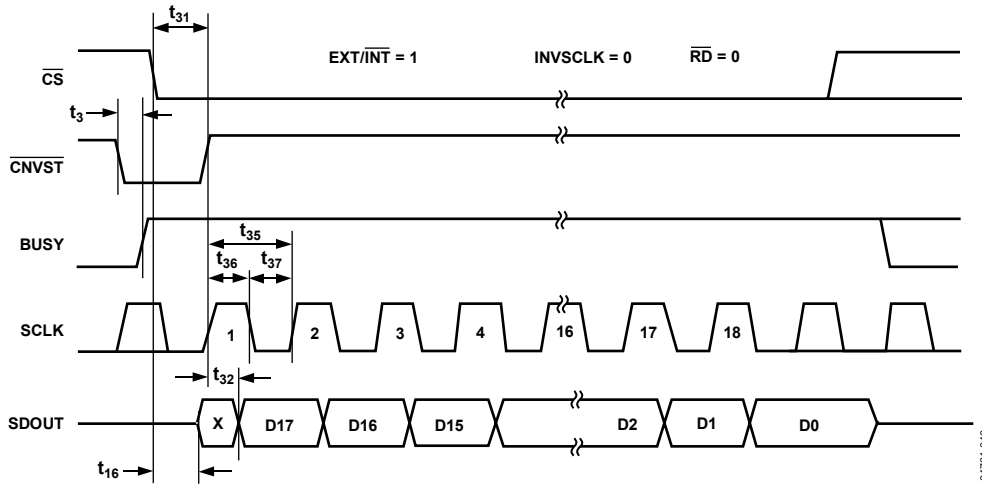


Figure 39. Slave Serial Data Timing for Reading (Read Previous Conversion During Convert)

# AD7641

## MICROPROCESSOR INTERFACING

The AD7641 is ideally suited for traditional dc measurement applications supporting a microprocessor, and ac signal processing applications interfacing to a digital signal processor. The AD7641 is designed to interface with a parallel 8-bit or 16-bit wide interface or with a general-purpose serial port or I/O ports on a microcontroller. A variety of external buffers can be used with the AD7641 to prevent digital noise from coupling into the ADC. The SPI Interface (ADSP-219x) section illustrates the use of the AD7641 with the ADSP-219x SPI-equipped DSP.

## SPI Interface (ADSP-219x)

Figure 40 shows an interface diagram between the AD7641 and an SPI-equipped DSP, the ADSP-219x. To accommodate the slower speed of the DSP, the AD7641 acts as a slave device and data must be read after conversion. This mode also allows the daisy-chain feature. The convert command can be initiated in response to an internal timer interrupt. The 18-bit output data are read with three SPI byte access. The reading process can be initiated in response to the end-of-conversion signal (BUSY going low) using an interrupt line of the DSP. The serial peripheral interface (SPI) on the ADSP-219x is configured for master mode (MSTR) = 1, clock polarity bit (CPOL) = 0, clock phase bit (CPHA) = 1, and the SPI interrupt enable (TIMOD) = 00 by writing to the SPI control register (SPICLTx). It should be noted that to meet all timing requirements, the SPI clock should be limited to 17 Mb/s, allowing it to read an ADC result in less than 1  $\mu$ s. When a higher sampling rate is desired, it is recommended to use one of the parallel interface modes.

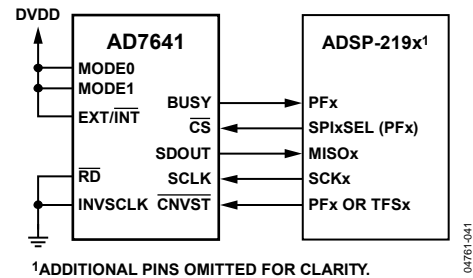


Figure 40. Interfacing the AD7641 to ADSP-219x

## APPLICATION HINTS

### LAYOUT

While the AD7641 has very good immunity to noise on the power supplies, exercise care with the grounding layout. To facilitate the use of ground planes that can be easily separated, design the printed circuit board that houses the AD7641 so that the analog and digital sections are separated and confined to certain areas of the board. Digital and analog ground planes should be joined in only one place, preferably underneath the AD7641, or as close as possible to the AD7641. If the AD7641 is in a system where multiple devices require analog-to-digital ground connections, the connections should still be made at one point only, a star ground point, established as close as possible to the AD7641.

To prevent coupling noise onto the die, to avoid radiating noise, and to reduce feedthrough:

- Do not run digital lines under the device.
- Run the analog ground plane under the AD7641.
- Shield fast switching signals, like  $\overline{\text{CNVST}}$  or clocks, with digital ground to avoid radiating noise to other sections of the board, and never run them near analog signal paths.
- Avoid crossover of digital and analog signals.
- Run traces on different but close layers of the board, at right angles to each other, to reduce the effect of feedthrough through the board.

The power supply lines to the AD7641 should use as large a trace as possible to provide low impedance paths and reduce the effect of glitches on the power supply lines. Good decoupling is also important to lower the impedance of the supplies presented to the AD7641, and to reduce the magnitude of the supply spikes. Decoupling ceramic capacitors, typically 100 nF, should be placed on each of the power supplies pins, AVDD, DVDD, and OVDD. The capacitors should be placed close to, and ideally right up against, these pins and their corresponding ground pins. Additionally, low ESR 10  $\mu\text{F}$  capacitors should be located in the vicinity of the ADC to further reduce low frequency ripple.

The DVDD supply of the AD7641 can be either a separate supply or come from the analog supply, AVDD, or from the digital interface supply, OVDD. When the system digital supply is noisy, or fast switching digital signals are present, and no separate supply is available, it is recommended to connect the DVDD digital supply to the analog supply AVDD through an RC filter, and to connect the system supply to the interface digital supply OVDD and the remaining digital circuitry. Refer to Figure 23 for an example of this configuration. When DVDD is powered from the system supply, it is useful to insert a bead to further reduce high frequency spikes.

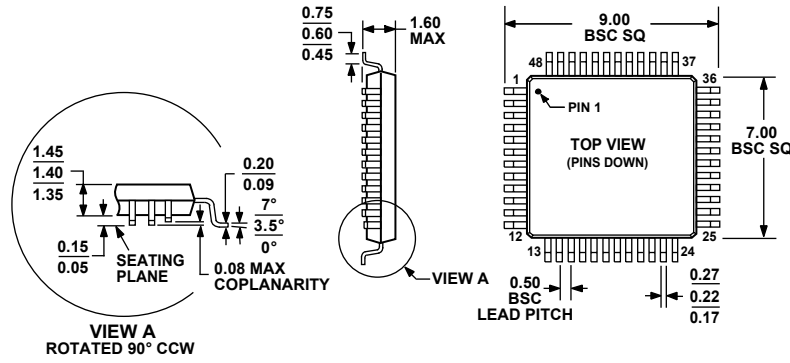
The AD7641 has four different ground pins: REFGND, AGND, DGND, and OGND. REFGND senses the reference voltage and, because it carries pulsed currents, should have a low impedance return to the reference. AGND is the ground to which most internal ADC analog signals are referenced; it must be connected with the least resistance to the analog ground plane. DGND must be tied to the analog or digital ground plane depending on the configuration. OGND is connected to the digital system ground.

The layout of the decoupling of the reference voltage is important. To minimize parasitic inductances, place the decoupling capacitor close to the ADC and connect it with short, thick traces.

### EVALUATING THE AD7641 PERFORMANCE

A recommended layout for the AD7641 is outlined in the documentation of the [EVAL-AD7641-CB](#) evaluation board for the AD7641. The evaluation board package includes a fully assembled and tested evaluation board, documentation, and software for controlling the board from a PC via the [EVAL-CONTROL BRD3](#).

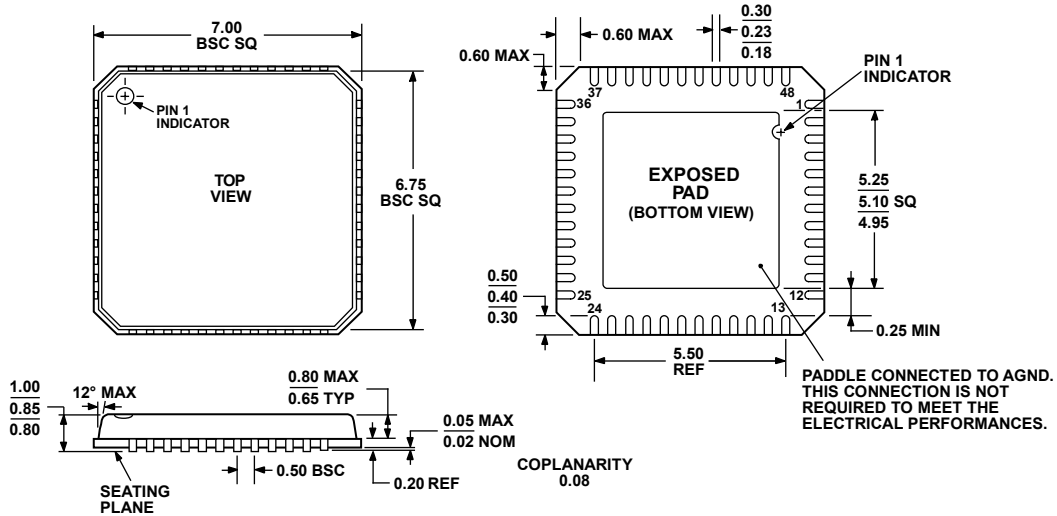
OUTLINE DIMENSIONS



COMPLIANT TO JEDEC STANDARDS MS-026-BBC

Figure 41. 48-Lead Low Profile Quad Flat Package [LQFP] (ST-48)

Dimensions shown in millimeters



COMPLIANT TO JEDEC STANDARDS MO-220-VKGD-2

Figure 42. 48-Lead Lead Frame Chip Scale Package [LFCSP\_VQ] 7 mm x 7 mm Body, Very Thin Quad (CP-48-1)

Dimensions shown in millimeters

ORDERING GUIDE

Model	Temperature Range	Package Description	Package Option
AD7641BCPZ <sup>1</sup>	-40°C to +85°C	48-Lead Lead Frame Chip Scale Package (LFCSP_VQ)	CP-48-1
AD7641BCPZRL <sup>1</sup>	-40°C to +85°C	48-Lead Lead Frame Chip Scale Package (LFCSP_VQ)	CP-48-1
AD7641BSTZ <sup>1</sup>	-40°C to +85°C	48-Lead Low Profile Quad Flat Package (LQFP)	ST-48
AD7641BSTZRL <sup>1</sup>	-40°C to +85°C	48-Lead Low Profile Quad Flat Package (LQFP)	ST-48
EVAL-AD7641CB <sup>2</sup>		Evaluation Board	
EVAL-CONTROLBRD3 <sup>3</sup>		Controller Board	

<sup>1</sup> Z = Pb-free part.

<sup>2</sup> This board can be used as a standalone evaluation board or in conjunction with the EVAL-CONTROL BRD3 for evaluation/demonstration purposes.

<sup>3</sup> This board allows a PC to control and communicate with all Analog Devices, Inc. evaluation boards ending in the CB designators.